

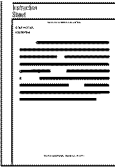
Instruction Sheet

16027250

Description: Overload Relay Kit

Repair Part Number: 12002782, 12002783, 12002784

Kit includes:

61006298 Electrical Cover	61006293 PTC Start Device	4TM Overload	61006297 Wire Jumper	 16027250 Instruction Sheet
------------------------------	------------------------------	--------------	-------------------------	--



WARNING

To avoid risk of electrical shock, personal injury or death; disconnect electrical power before servicing.

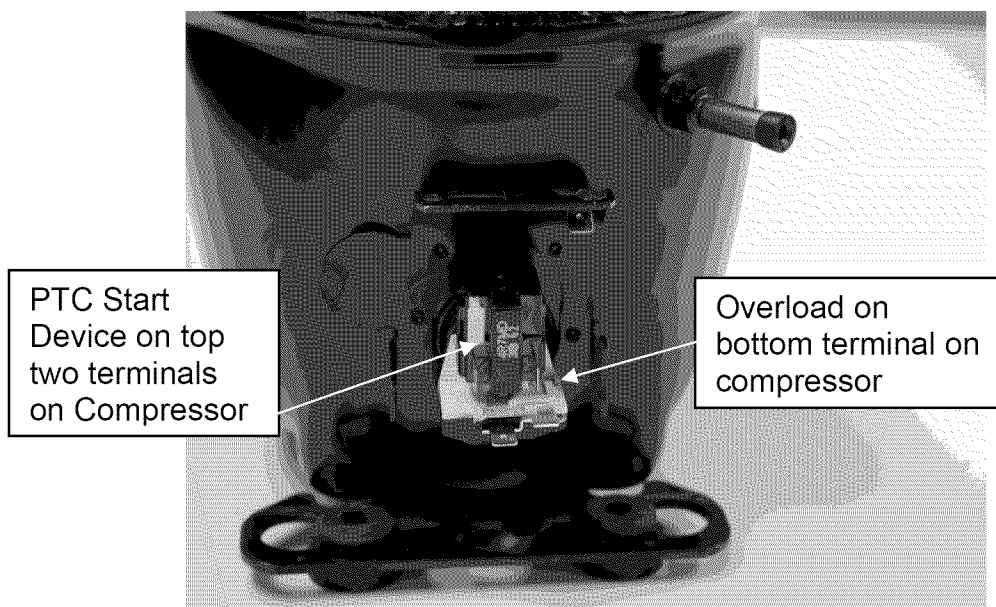
Procedure:

1. Unplug refrigerator or disconnect power.
2. Pull refrigerator out to expose machine compartment on back of refrigerator.

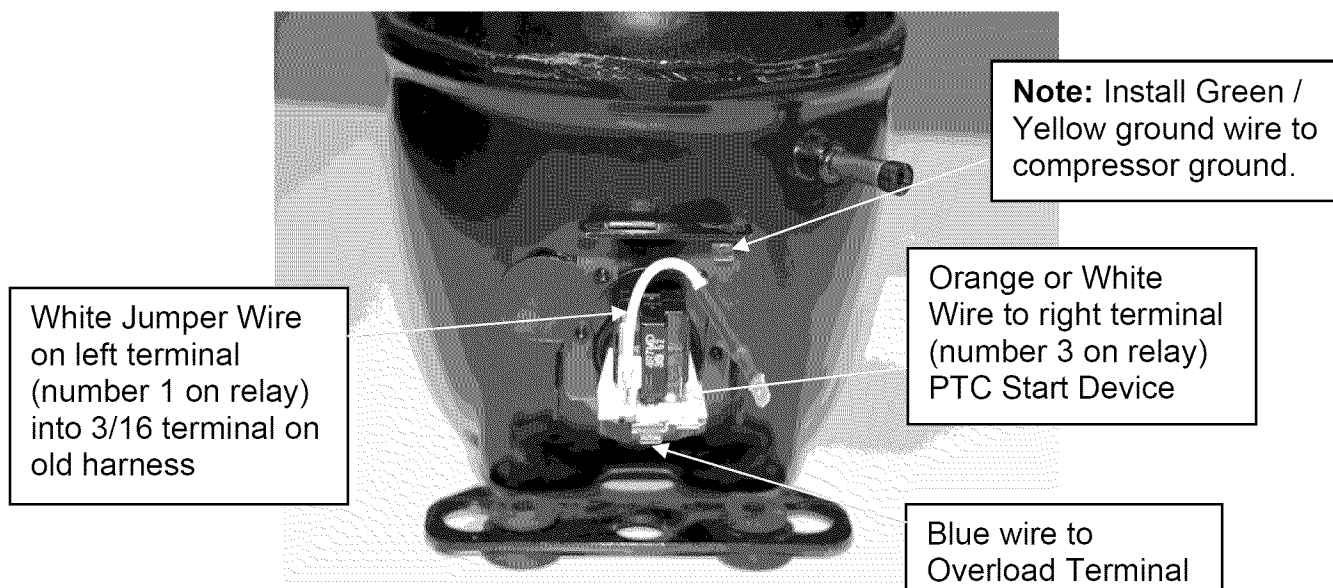
Note: Make sure to protect floor from any damage when pulling refrigerator out.

3. Remove machine compartment cover exposing compressor.
4. Remove Electrical cover (if equipped) from compressor.
5. Remove all electrical components from compressor, pull straight off the compressor. Disconnect from wire harness.

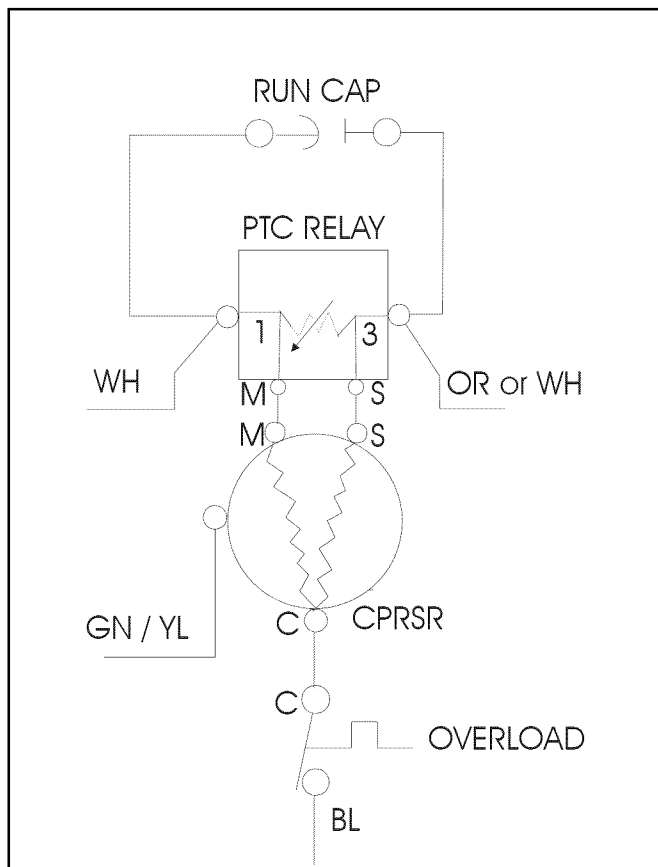
6. Install the new Overload and PTC Start Device as shown below. Make sure the start device and overload are securely mounted all the way on the compressor terminals.



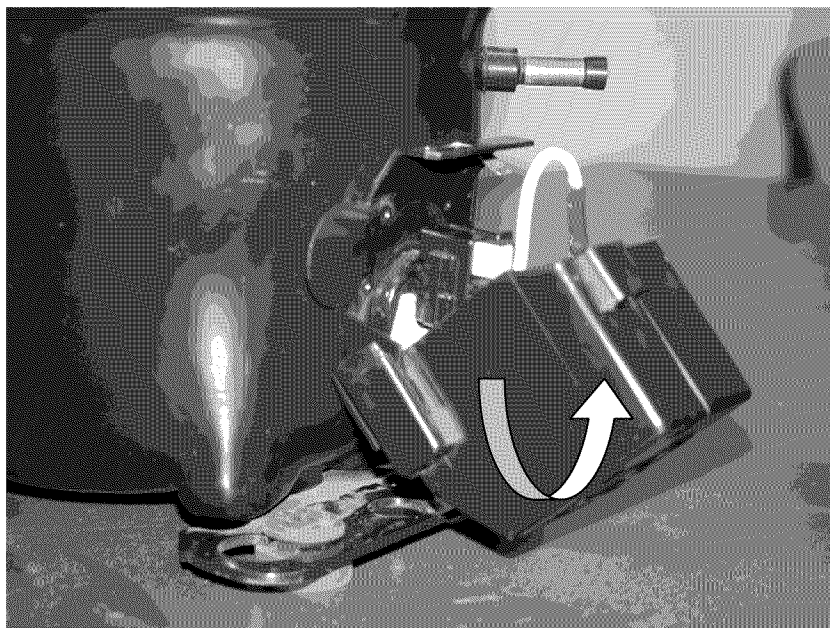
7. Install Wire Jumper included in kit on left terminal (number 1 on relay) of PTC Start Device as shown below.



8. Reinstall wire harness to the correct terminals.
- Plug White Jumper wire into 3/16" terminal on old harness.
 - Plug Blue wire into overload on bottom terminal.
 - Plug Orange or White wire into PTC Start Device (terminal number 3 on relay).
 - Reattach Green / Yellow wire to compressor ground.



9. Install new Electrical Cover provided with the kit. Be sure to insert the entire jumper into cover. Engage the bottom of the cover first, then push the cover upward while snapping in place.



10. Reinstall the machine compartment cover.
11. Plug in or restore power to refrigerator and check for compressor operation.
12. Replace refrigerator into its original location.