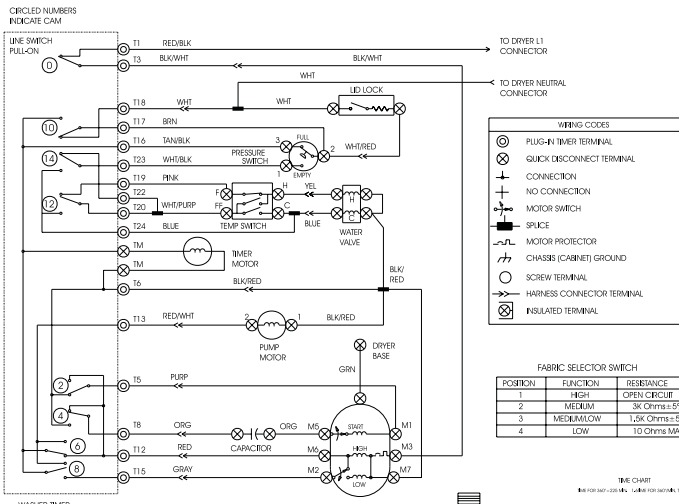
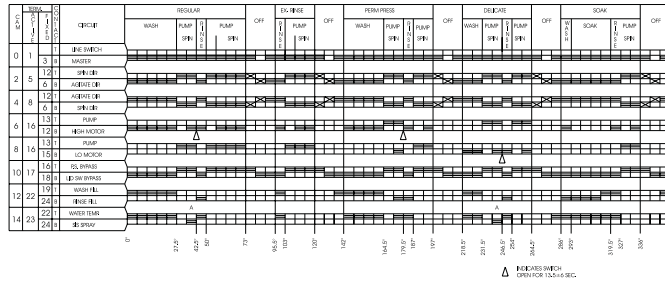
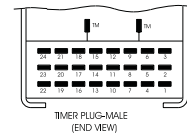


# CAUTION: Use the Kenmore part number on all orders, not the illustration number.

CAUTION: DISCONNECT ELECTRIC CURRENT BEFORE SERVICING. LABEL ALL WIRES PRIOR TO DISCONNECTION WHEN SERVICING CONTROLS. WIRING ERRORS CAN CAUSE IMPROPER AND DANGEROUS OPERATION. VERIFY PROPER OPERATION AFTER SERVICING.

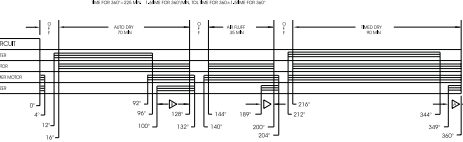


- NOTES:
1. ALL WIRING MUST CONFORM TO LOCAL ELECTRICAL CODES.
  2. CONNECT DRYER TO 15 AMP INDIVIDUAL BRANCH CIRCUIT.
  3. DRYER TIMER SHOWN IN OFF POSITION. DOOR SWITCH CLOSED. MOTOR AT REST. THERMOSTAT CLOSED, AND FABRIC SELECTOR SWITCH AT HIGH HEAT.
- WASHER TIMER SHOWN IN ON POSITION. TEMPERATURE SELECTOR SWITCH AT HOT WASH/COLD RINSE, AND PRESSURE SWITCH FULL.



TEMPERATURE SWITCH CIRCUIT					
	WASH/RINSE	HOT/COLD	WARM/WARM (OPF)	COLD/COLD	WARM/COLD
1	X	O	O	O	O
2	O	X	X	O	X
3	O	O	O	X	X
4	X	O	X	O	X

O = SWITCH OPEN  
X = SWITCH CLOSED



BAR CHART ABOVE REPRESENTS ONE COMPLETE REVOLUTION OF TIMER SWIFT. SHADED PORTION OF BAR CHART INDICATES THE PROPORTIONAL TIMES THAT INTERNAL TIMER CONTACTS ARE CLOSED.

A PULSER CAM, LOCATED NEXT TO THE BUZZER CAM AND ROTATING AT 12 REVOLUTIONS PER HOUR, ALLOWS CIRCUIT 764H TO CLOSE FOR 5 SECONDS (1.3 SECONDS).

▲ 1 OR 2 TIMES IN THIS AREA  
▲ 3 TO 4 TIMES IN THIS AREA

### WIRE SPECIFICATIONS

CODE	WIRE GAUGE (AWG)	INSULATION MATERIAL
18P	18	105°C PVC (POLYVINYLCHLORIDE)
14P	14	125°C X40K

NOTE: ALL UNSPECIFIED WIRE CODES ARE 18R.

# G

WIRING DIAGRAM  
P/N 131819300