

# SERVICE DATA SHEET

# 318204802 (0703) Rev. A

Dual Fuel Range with Electronic Oven Control

## NOTICE

This service data sheet is intended for use by persons having electrical and mechanical training and a level of knowledge of these subjects generally considered acceptable in the appliance repair trade. **The manufacturer cannot be responsible, nor assume any liability, for injury or damage of any kind arising from the use of this data sheet.**

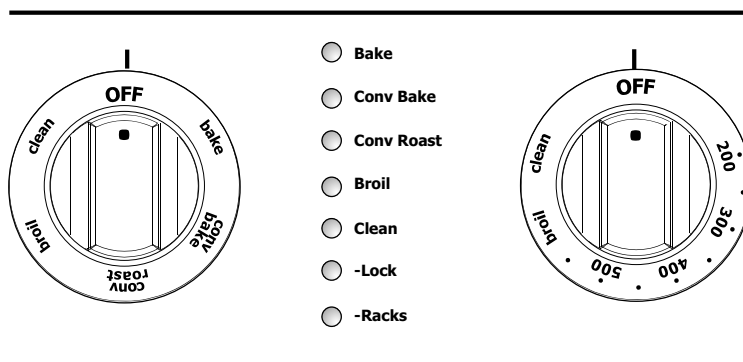
## SAFE SERVICING PRACTICES

To avoid the possibility of personal injury and/or property damage, it is important that safe servicing practices be observed. The following are examples, but without limitation, of such practices.

1. Do not attempt a product repair if you have any doubts as to your ability to complete it in a safe and satisfactory manner.
2. Before servicing or moving an appliance, remove power cord from electric outlet, trip circuit breaker to OFF, or remove fuse and turn off gas supply.
3. Never interfere with the proper installation of any safety device.
4. **USE ONLY REPLACEMENT PARTS CATALOGED FOR THIS APPLIANCE. SUBSTITUTIONS MAY DEFEAT COMPLIANCE WITH SAFETY STANDARDS SET FOR HOME APPLIANCES.**
5. **GROUNDING:** The standard color coding for safety ground wires is GREEN OR GREEN WITH YELLOW STRIPES. Ground leads are not to be used as current carrying conductors. IT IS EXTREMELY IMPORTANT THAT THE SERVICE TECHNICIAN REESTABLISH ALL SAFETY GROUNDS PRIOR TO COMPLETION OF SERVICE. FAILURE TO DO SO WILL CREATE A POTENTIAL HAZARD.
6. Prior to returning the product to service, ensure that:
  - All electric connections are correct and secure.
  - All electrical leads are properly dressed and secured away from sharp edges, high-temperature components, and moving parts.
  - All non-insulated electrical terminals, connectors, heaters, etc. are adequately spaced away from all metal parts and panels.
  - All safety grounds (both internal and external) are correctly and securely reassembled.
  - All panels are properly and securely reassembled.

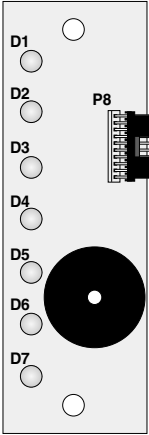
## ELECTRONIC OVEN CONTROL

1. This self-cleaning controller offers Bake, Broil, Convection Bake and Roast modes and Cleaning functions.
2. Convection operates with an element and a fan dedicated to convection.
3. This controller includes a display board, a controller board and potentiometers.



**NOTE:** The controllers are not field repairable. Only temperature settings can be changed. See oven calibration.

## ELECTRONIC DISPLAY BOARD

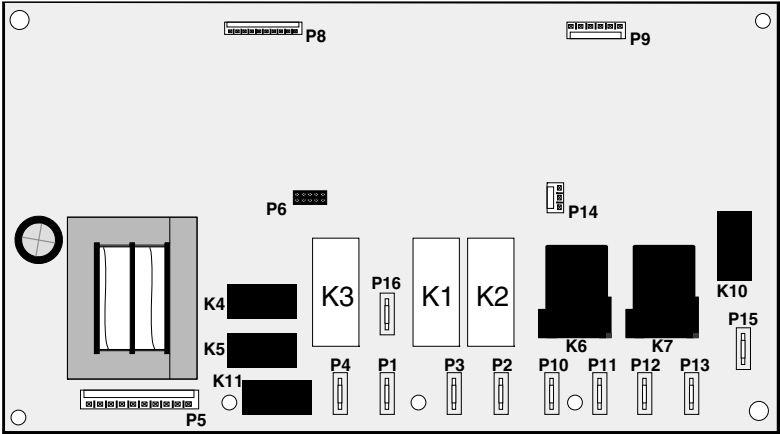


*This display board serves for Freestanding Range*

- D1- Bake Mode Indicator Light
- D2- Convection Bake Mode Indicator Light
- D3- Convection Roast Mode Indicator Light
- D4- Broil Mode Indicator Light
- D5- Clean Mode Indicator Light
- D6- Lock Mode Indicator Light
- D7- Racks Indicator Light

## ELECTRONIC OVEN CONTROL

### Electronic oven control relay board



### Relay Board Legend:

- K1 Broil relay
- K2 Bake relay
- K3 Convection relay
- K4 Cooling fan relay (low speed)
- K5 Motor door latch relay
- K6 DLB for bake and broil elements
- K7 DLB for convection element
- K10 Convection fan relay
- K11 Cooling fan relay high speed

### Faston terminals

- P1. L1
- P2. Broil
- P3. Bake
- P4. Convection Element
- P10. L2 out (bake & broil)
- P11. L2 in (bake & broil)
- P12. L2 out (convection element)
- P13. L2 in (convection element)
- P15. Convection Fan
- P16. L1

### Headers

- P9. Potentiometer connection
  - Pin 1 Temp. selector pin 3
  - Pin 2 Temp. selector pin 2
  - Pin 3 Temp. selector pin 1
  - Pin 4 Function selector pin 3
  - Pin 5 Function selector pin 2
  - Pin 6 Function selector pin 1
- P8 LED module connection

### Headers

- P5. 120V relay output and input
  - Pin 1 Neutral
  - Pin 2 120V to MDL
  - Pin 3 120V to cooling fan - 1st speed
  - Pin 4 120V to cooling fan - 2nd speed
  - Pin 5 Common for MDL, door switch and rack sensor
  - Pin 6 Door switch
  - Pin 7 MDL switch
  - Pin 8 Oven probe
  - Pin 9 Oven probe
  - Pin 10 Rack sensor

### Interior Oven Light(s):

The oven light(s) is (are) controlled by the oven light switch on the front panel and by the door switch. Opening the door or setting the light switch to on will turn on the oven light(s).

## CONVECTION MODE

The convection oven uses the addition of a fan and an element to heat and to move the air already in the oven. Moving the heated air helps to destratify the heat and cause uniform heat distribution. The air is drawn in through a fan shroud and the element located on the rear wall of the oven. It is then discharged around the outer edges of this shroud. The air circulates around the food and then enters the shroud again. As other appliance, there is an oven vent which discharges air.

To set the control in convection mode, follow these steps:

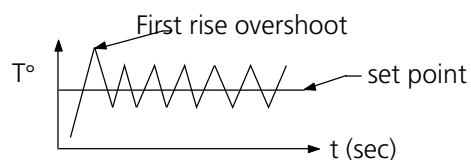
1. Turn the selector knob to **CONV. BAKE or CONV. ROAST.**
2. Turn the temperature knob to the desired position.

The oven will automatically start and the fan will begin to run. To cancel the convection baking/roasting function, turn both knobs to OFF position.

**NOTE:** The fan runs continuously while in the convection mode. The fan will stop if the door is opened while convection baking/roasting. The convection element will stop operating if the door is opened.

## FIRST RISE

It is normal to see a temperature overshoot in the first rise of all modes when you monitor the temperature.



## OVEN CALIBRATION

Set the electronic oven control for normal baking at 350°F. Obtain an average oven temperature after a minimum of 5 cycles.

The oven calibration cannot be modified.

**Note:** Changing calibration affects all the cooking modes but not the clean and the broil modes.

## OVEN ELEMENTS OPERATION

### Baking mode

**First rise (preheat):** Bake element is on 40 seconds per minute. Broil element is on 15-20 seconds per minute. Convection element is on 60 seconds per minute. The convection fan is on until the oven reaches the set temperature

**Normal baking:** Bake element is on 45-55 seconds per minute. Broil element is on 5 seconds per minute. Convection element and convection fan are off.

**Broiling mode** Broil element is always on.

### Convection Bake modes

**First rise (preheat):** Bake element is on 40 seconds per minute. Broil element is on 15 seconds per minute. Convection element is on 60 seconds per minute and convection fan is on.

**Convection baking:** Bake and broil elements are off. Convection element and convection fan are always on.

### Convection Roast modes

**First rise (preheat):** Bake element is on 30 seconds per minute. Broil element is on 15-30 seconds per minute. Convection element is on 15-60 seconds per minute and convection fan is always on.

**Convection roast:** Bake element is on 30 seconds per minute. Broil element is on 15 seconds per minute. Convection element is on 15 seconds per minute and convection fan is always on.

### Clean mode modes

**First rise:** Bake element is on 20 seconds per minute. Broil element is on 40 seconds per minute. Convection element is on 10-60 seconds per minute and convection fan is on until the oven reaches the set temperature.

**Clean:** Once the oven reaches the temperature, bake element is on 20 seconds pre minute, broil element is on 40 seconds per minute. Convection element and fan are off.

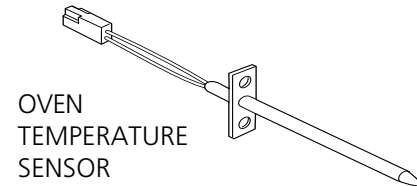
## ELECTRONIC OVEN CONTROL (FAULT CODES)

### ELECTRONIC OVEN CONTROL (EOC) FAULT CODE DESCRIPTIONS

Failure Code/Condition/Cause	Suggested Corrective Action																																										
<table border="1" style="margin-left: auto; margin-right: auto;"> <thead> <tr> <th colspan="7">Front Panel LED</th> </tr> <tr> <th>1</th> <th>2</th> <th>3</th> <th>4</th> <th>5</th> <th>6</th> <th>7</th> </tr> </thead> <tbody> <tr> <td>X</td> <td></td> <td></td> <td></td> <td>X</td> <td></td> <td></td> </tr> </tbody> </table> <p>Control has sensed a potential runaway oven condition. Control may have shorted relay, RTD sensor probe may have a gone bad.</p>	Front Panel LED							1	2	3	4	5	6	7	X				X			<p>Check RTD sensor probe and replace if necessary. If oven is overheating, disconnect power. If oven continues to overheat when power is reapplied, replace control board.</p>																					
Front Panel LED																																											
1	2	3	4	5	6	7																																					
X				X																																							
<table border="1" style="margin-left: auto; margin-right: auto;"> <thead> <tr> <th colspan="7">Front Panel LED</th> </tr> <tr> <th>1</th> <th>2</th> <th>3</th> <th>4</th> <th>5</th> <th>6</th> <th>7</th> </tr> </thead> <tbody> <tr> <td>X</td> <td></td> <td></td> <td></td> <td></td> <td>X</td> <td></td> </tr> </tbody> </table> <p>Incorrect Micro ID, controller self check failed.</p>	Front Panel LED							1	2	3	4	5	6	7	X					X		<p>Replace the control board.</p>																					
Front Panel LED																																											
1	2	3	4	5	6	7																																					
X					X																																						
<table border="1" style="margin-left: auto; margin-right: auto;"> <thead> <tr> <th colspan="7">Front Panel LED</th> </tr> <tr> <th>1</th> <th>2</th> <th>3</th> <th>4</th> <th>5</th> <th>6</th> <th>7</th> </tr> </thead> <tbody> <tr> <td>X</td> <td></td> <td></td> <td></td> <td></td> <td></td> <td>X</td> </tr> </tbody> </table> <p>Incorrect EEPROM Checksum, control internal checksum may have been corrupted.</p>	Front Panel LED							1	2	3	4	5	6	7	X						X	<p>Disconnect power, wait 30 seconds and reapply power. If fault returns upon power-up, replace control board.</p>																					
Front Panel LED																																											
1	2	3	4	5	6	7																																					
X						X																																					
<table border="1" style="margin-left: auto; margin-right: auto;"> <thead> <tr> <th colspan="7">Front Panel LED</th> </tr> <tr> <th>1</th> <th>2</th> <th>3</th> <th>4</th> <th>5</th> <th>6</th> <th>7</th> </tr> </thead> <tbody> <tr> <td></td> <td></td> <td>X</td> <td></td> <td>X</td> <td></td> <td></td> </tr> </tbody> </table> <p>Open RTD sensor probe / wiring problem.</p> <table border="1" style="margin-left: auto; margin-right: auto;"> <thead> <tr> <th colspan="7">Front Panel LED</th> </tr> <tr> <th>1</th> <th>2</th> <th>3</th> <th>4</th> <th>5</th> <th>6</th> <th>7</th> </tr> </thead> <tbody> <tr> <td></td> <td></td> <td>X</td> <td></td> <td></td> <td>X</td> <td></td> </tr> </tbody> </table> <p>Shorted RTD sensor probe / wiring problem.</p>	Front Panel LED							1	2	3	4	5	6	7			X		X			Front Panel LED							1	2	3	4	5	6	7			X			X		<ul style="list-style-type: none"> <li>- Check wiring in probe circuit for possible open condition.</li> <li>- Check RTD resistance at room temperature (compare to probe resistance chart). If resistance does not match the chart, replace RTD sensor probe.</li> <li>- Let the oven cool down and restart the function.</li> <li>- If problem persists, replace control board.</li> </ul>
Front Panel LED																																											
1	2	3	4	5	6	7																																					
		X		X																																							
Front Panel LED																																											
1	2	3	4	5	6	7																																					
		X			X																																						
<table border="1" style="margin-left: auto; margin-right: auto;"> <thead> <tr> <th colspan="7">Front Panel LED</th> </tr> <tr> <th>1</th> <th>2</th> <th>3</th> <th>4</th> <th>5</th> <th>6</th> <th>7</th> </tr> </thead> <tbody> <tr> <td></td> <td>X</td> <td>X</td> <td>X</td> <td></td> <td></td> <td></td> </tr> </tbody> </table> <p>Door motor mechanism failure.</p> <p><b>LED Legend:</b>            1 - Bake            2 - Convection Bake            3 - Convection Roast            4 - Broil            5 - Clean            6 - Lock            7 - Remove racks</p>	Front Panel LED							1	2	3	4	5	6	7		X	X	X				<ul style="list-style-type: none"> <li>- Turn off power for 30 seconds, then turn on power.</li> <li>- Check wiring of lock motor, lock switch circuits.</li> <li>- Unplug the lock motor from the board and apply power (L1) directly to the lock motor. If the motor does not rotate, replace the lock motor assembly.</li> <li>- Check lock switch for proper operation (do they open and close, check with ohmmeter). The lock motor may be powered as in above step to open and close lock switch. If the lock switch is defective, replace motor lock assembly.</li> <li>- If all above steps fail to correct situation, replace the control board.</li> </ul>																					
Front Panel LED																																											
1	2	3	4	5	6	7																																					
	X	X	X																																								

RTD SCALE		
Temp. °F	Temp. °C	Resistance (ohms)
32 ± 1.9	0.0 ± 1.1	1000 ± 4.0
75 ± 2.5	23.9 ± 1.4	1091 ± 5.3
250 ± 4.4	121.1 ± 2.4	1453 ± 8.9
350 ± 5.4	176.7 ± 3.0	1654 ± 10.8
450 ± 6.9	232.2 ± 3.8	1852 ± 13.5
550 ± 8.2	287.8 ± 4.6	2047 ± 15.8
650 ± 9.6	343.3 ± 5.3	2237 ± 18.5
900 ± 13.6	482.2 ± 7.6	2697 ± 24.4

ELECTRICAL RATING			
Kw Rating 240/208 V	See nameplate	Bake Element Wattage	30" range: 2500W/1879W 36" Range: 3000W/2253W
Broil Element Wattage	4000W/3004W	Convection Element Wattage	2500W/1879W



FREESTANDING RANGE CIRCUIT ANALYSIS MATRIX										
	DLB1 L2 out P10	DLB2 L2 out P12	Bake P2	Broil P3	Conv P4	Door Motor P3	Conv. Fan P15	Door Sw. P5-6 & P5-5	Cooling Fan low Sp. P5-3	Cooling Fan High Sp. P5-4
Bake	X	X	X	X	X		X		X	
Conv. Bake	X	X	X	X	X		X		X	
Conv. Roast	X	X	X	X	X		X		X	
Broil	X			X						X
Clean	X	X	X	X	X		X		X	X
Locking						X*				
Unlocking						X				
Door Open										
Door Closed								X		

\* Motor latch will only lock when the rack switch is closed (racks removed).

■ Relay will operate in this condition only.

### **Racks sense switch:**

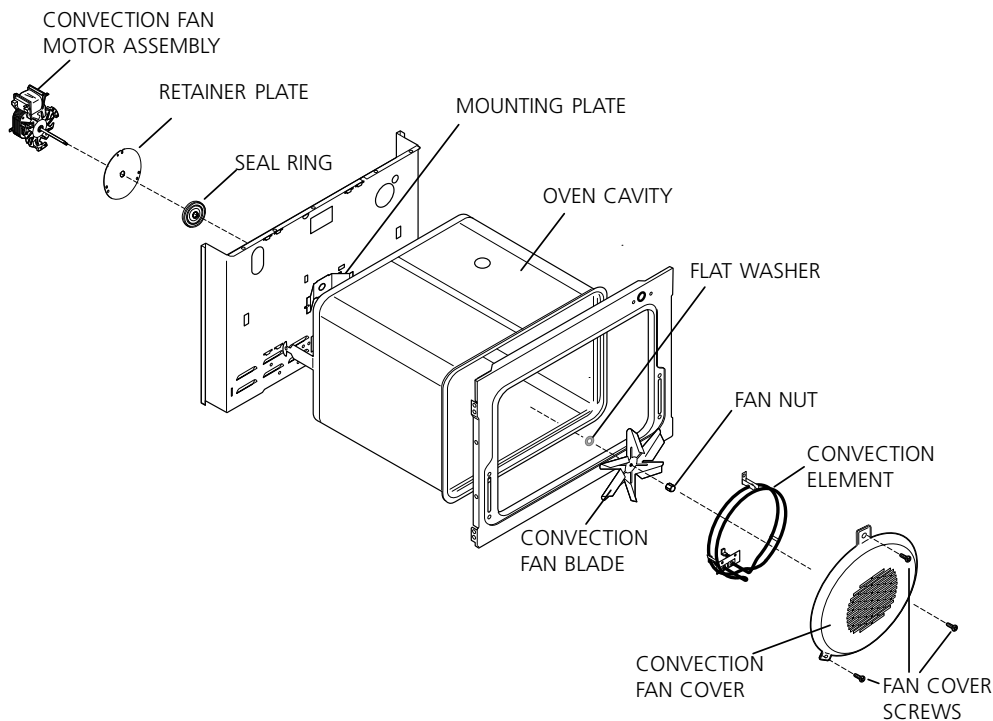
Racks and rack holders must be removed to do a self-clean cycle. The Remove Racks LED on the front panel will blink to indicate the user to remove the racks, in the event of an attempt to start a clean cycle with the racks in.

The logic of the racks switch is the following:

Racks installed = Switch open

Racks not installed = Switch closed

## EXPLODED VIEW OF CONVECTION SYSTEM



### FAN BLADE

The fan blade is mounted in the rear of the unit and has a "D" shaped mounting hole. Only minimum clearance exists between the oven back, fan blade, and fan shroud. Be careful not to bend blade when removing or installing.

Access to the fan blade is gained by removing the fan shroud, held in place by three screws, from the inside of the oven.

The fan blade is held in place with a hex nut that has left handed threads. When removing this nut, gently hold the fan blade, and turn the nut clockwise. If one of the blades becomes deformed, it may be bent back into shape using a flat surface as a reference.

A flat washer is located on the motor shaft between the snap ring on the shaft and the fan blade.

**NOTE:** If the fan blade is bent and motor vibrations increase, the noise made by the fan will be greater.

### MOUNTING PLATE OVEN

The fan motor on the rear of the unit is mounted to the main back (with three screws). There is a mounting plate held in place between the main back (with 2 screws) and the rear oven wall (with 2 screws). Should it be necessary to replace the oven cavity, you must remove the 2 screws located inside the unit at the rear of the oven cavity.

### COOLING FAN MOTOR

The 120 volt fan motor is located on the outside of the rear of the oven. The cooling fan has 2 speed options, which are driven by the oven controller. The high speed mode is used on self-clean when the temperature gets over 575F. The high speed is also used anytime the broil function is used. The cooling fan may remain at high speed after the broil function is cancelled to allow better cooling of the oven.

## CONVECTION FAN MOTOR

The 120 volt fan motor is located on the outside of the rear of the oven.

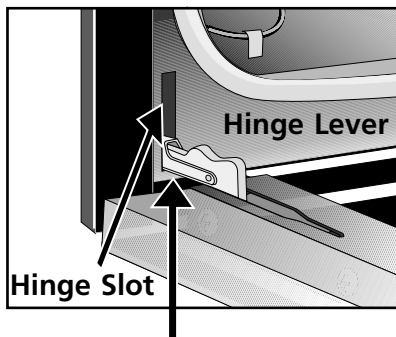
The fan motor runs continuously while in the convection mode unless the door is opened. It will also run during the preheat of a bake function and during the first rise of temperature in a clean cycle. If the fan does not operate, check the following:

- 120 Volts available at fan motor.
- Fan motor coil resistance 15.0 ohms  $\pm$  10%.
- Door/light switch.

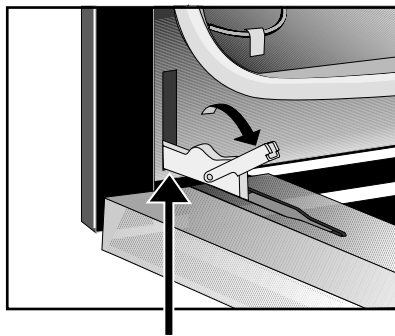
## OVEN DOOR REMOVAL AND REPLACEMENT

### To Remove and Replace Oven Door

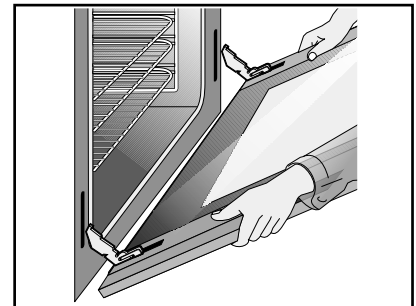
1. Open the door to the fully opened position.
2. Pull up the lock located on each hinge support toward front of range. You may have to apply a little upward pressure on the lock to pull it up.
3. Grasp the door by the sides, pull the bottom of the door up and toward you to disengage the hinge supports. Keep pulling the bottom of the door toward you while rotating the top of the door toward the appliance to completely disengage the hinge levers.
4. Proceed in reverse to re-install the door. Make sure the hinge supports are fully engaged before unlocking the door



Lock in normal position



Lock engaged for door removal

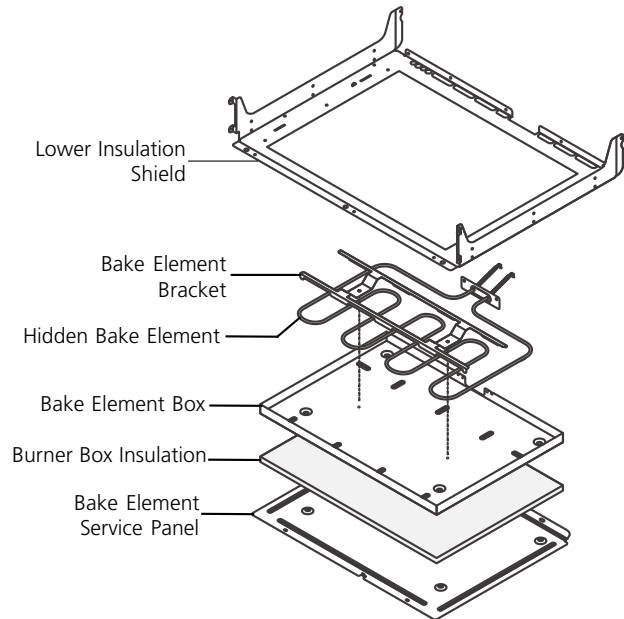


Door removed from the oven

## TRUE HIDDEN BAKE ELEMENT REMOVAL

The steps below are to follow in order to replace true hidden bake element.

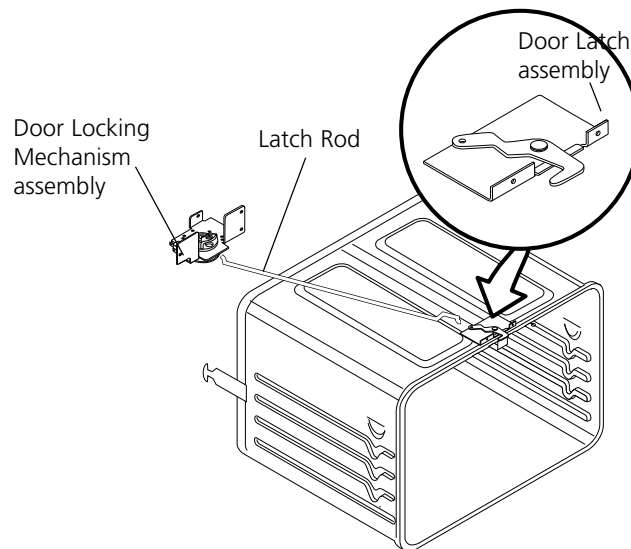
1. Disconnect power to the circuit breaker or fuse box.
2. Remove the lower trim.
3. Remove the 2 or 3 screws which are holding the service panel in place.
4. Place the service panel on the floor.
5. Disconnect the bake element and take out the service panel assembly.
6. Remove the 2 screws and the bracket which hold the bake element.
7. Replace the bake element.
8. Fasten the bracket with the 2 screws.
9. Connect the bake element.
10. Insert the service panel into the opening under the cavity. Make sure that the rear side of the service panel enters the opening and the bake element wires are inserted properly back in place.
11. Raise the service panel and fasten it with the 2 or 3 screws.
12. Put back the lower trim.



## DOOR LOCK MECHANISM

The appliance is equipped with an electronic oven control and has an auto locking door latch feature. When the self clean cycle is programmed, the door is locked by a motor operated latch system. The interior of oven doesn't need to heat up to 500°F/260°C before the door locks. However, until the temperature inside oven reaches 500°F/260°C, the self-clean program can be canceled and door will unlock immediately. After oven reaches temperatures over 500°F/260°C, the door will not unlock until temperature drops below 500°F/260°C.

The motor door latch switch is connected between P1 and P5 of connector P8 on the analog controller board.





Estufa con un control electrónico

## NOTA

Esta hoja de servicio esta dirigida a las personas con entrenamiento técnico eléctrico y mecánico, así como un nivel de conocimiento general en el área de reparación de electrodomésticos. **El fabricante no puede ser responsable de heridas o daños de algún tipo por el uso de esta hoja de información.**

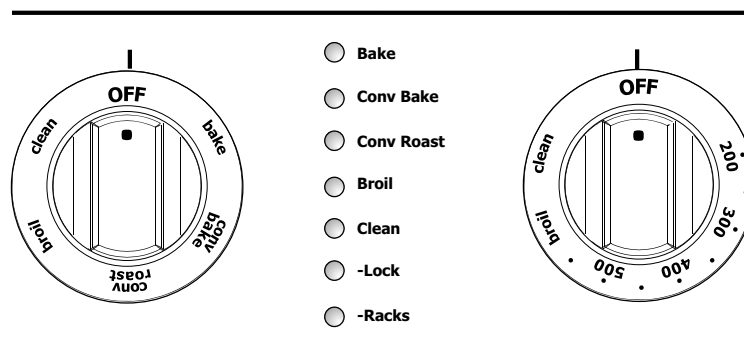
## PRACTICAS DE SERVICIO SEGURAS

Para evitar heridas o daños a la propiedad, es importante de seguir estas prácticas de servicio. Los siguientes son algunos ejemplos de prácticas seguras, pero sin limitación, de estas medidas.

1. No trate de reparar el aparato a menos que crea poder hacerlo satisfactoriamente y de una manera segura.
2. Antes de reparar o de desplazar el aparato, retire el cable del toma corriente, APAGUE el suministro de energía o retire los fusibles y cierre el suministro de gas.
3. Nunca interfiera con la instalación apropiada de cualquier dispositivo de seguridad.
4. UTILICE SOLAMENTE EL CATALOGO DE PIEZAS DESIGNADO PARA ESTE APARATO. LAS SUBSTITUCIONES PUEDEN ESTAR EN NO CONFORMIDAD CON LOS ESTÁNDARES DE SEGURIDAD FIJADOS PARA LOS APARATOS ELECTRODOMÉSTICOS.
5. PUESTA A TIERRA: los cables de seguridad a tierra son VERDES CON LINEAS AMARILLAS. Los cables de tierra no deben ser utilizados como conductores. ES MUY IMPORTANTE QUE EL TECNICO REESTABLEZCA LA CONEXIÓN A TIERRA ANTES DE TERMINAR EL SERVICIO. DE NO HACERLO PODRIA GENERARSE UN PELIGRO POTENCIAL.
6. Antes de regresa el aparato al servicio, asegúrese que:
  - Todas las conexiones eléctricas están bien conectadas y aseguradas.
  - Todos los cables de tierra deben estar bien asegurados, lejos de elementos filosos, lejos de altas temperaturas y cualquier elemento movable.
  - Todos los cables no aislados, conectadores, calentadores, etc. deben estar lo suficientemente lejos de las partes metálicas y de los paneles.
  - Todos los cables de tierra (externos y internos) están correctamente y bien ensamblados.
  - Todos los paneles están bien y correctamente ensamblados.

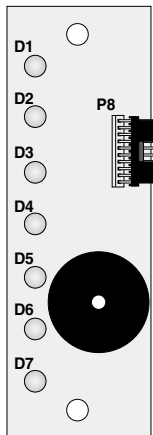
## CONTROL ELECTRONICO DEL HORNO

1. Este control de auto-limpieza ofrece funciones de horneado, asado, horneado por convección y rostizado por convección y funciones de limpieza.
2. La convección funciona con un elemento y con un ventilador designado para la convección.
3. Este control incluye un panel indicador y un panel de control y potenciómetros.



**Nota:** Los controles no son reparables en el campo. Solamente los ajustes de temperatura pueden ser cambiados. Vea calibración del horno.

## PANEL INDICADOR ELECTRONICO

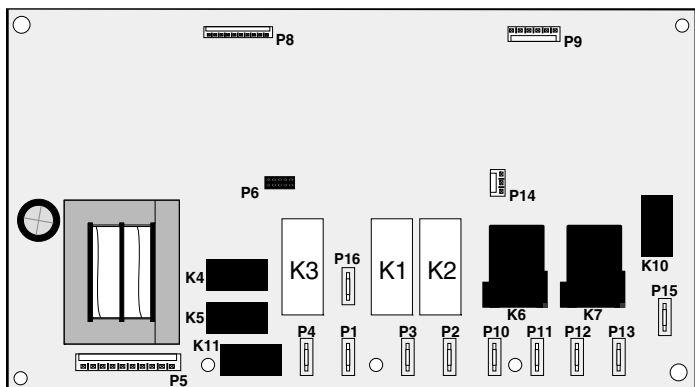


El panel indicador es el mismo para Freestanding Estufa

- D1 - Luz Indicadora del Modo de Horneado
- D2 - Luz Indicadora del Modo de Horneado por Convección
- D3 - Luz Indicadora del Modo de Rostizado por Convección
- D4 - Luz Indicadora del Modo de Asado a la Parrilla
- D5 - Luz Indicadora del Modo de Auto Limpieza
- D6 - Luz Indicadora de Puerta Cerrada y Asegurada
- D7 - Luz Indicadora de Parrillas y Soportes

## CONTROL ELECTRONICO DEL HORNO DOBLE

### Panel de relevadores para el control electrónico



### Leyenda del Tablero de Relevadores:

- K1 Relevador de Asado
- K2 Relevador de Horneado
- K3 Relevador de Convección
- K4 Relevador del Ventilador de Enfriamiento (velocidad baja)
- K5 Relevador del Motor del Seguro de la Puerta
- K6 Relevador DLB para los Elementos de Horneado y Asado
- K7 Relevador DLB para el Elemento de Convección
- K10 Relevador del Ventilador de Convección
- K11 Relevador del Ventilador de Enfriamiento (velocidad alta)

### Terminales Faston

- P1. L1
- P2. Asado
- P3. Horneado
- P4. Elemento de Convección
- P10. Salida de L2 (Horneado y Asado)
- P11. Entrada de L2 (Horneado y Asado)
- P12. Salida de L2 (Elemento de Convección)
- P13. Entrada de L2 (Elemento de Convección)
- P15. Ventilador de Convección
- P16. L1

### Conectores

- P9. Conexión de Potenciómetros
  - Pin 1 Control de Temp. Pin 3
  - Pin 2 Control de Temp. Pin 2
  - Pin 3 Control de Temp. Pin 1
  - Pin 4 Control de Selección Pin 3
  - Pin 5 Control de Selección Pin 2
  - Pin 6 Control de Selección Pin 1
- P8 Modulo de Conexiones de LED

### Conectores

- P5. Entrada y salida de 120V a relevadores
  - Pin 1 Neutral
  - Pin 2 120V al Motor del Seguro de la Puerta
  - Pin 3 120V al ventilador de enfriamiento (velocidad baja)
  - Pin 4 120V al ventilador de enfriamiento (velocidad alta)
  - Pin 5 Común para el Motor, el sensor de parrillas, y el interruptor de la puerta
  - Pin 6 Interruptor de la puerta
  - Pin 7 Interruptor del Motor del seguro de la puerta
  - Pin 8 Sonda del horno
  - Pin 9 Sonda del horno
  - Pin 10 Sensor de parrillas

### Luces del Horno Interiores:

Las luces del horno son controladas por un interruptor en el panel frontal y por el interruptor de la puerta. El abrir la puerta o el poner el interruptor en posición de encendido encenderá las luces.

## MODO DE CONVECCION

El horno de convección utiliza un ventilador y un elemento para calentar para mover el aire que ya se encuentra en el horno. Mover el aire caliente ayuda a destratificar el calor y a distribuir el calor uniformemente. El aire es conducido a través de la cubierta del ventilador y del elemento localizado en la pared posterior del horno y descargado alrededor de los bordes externos de la cubierta. El aire circula alrededor del alimento y después entra en la cubierta otra vez. Como en las estufas eléctricas convencionales, hay una ventilación de horno que descarga el aire a través de la parte posterior de la cubierta.

Para fijar el control en modo de la convección, siga estos pasos:

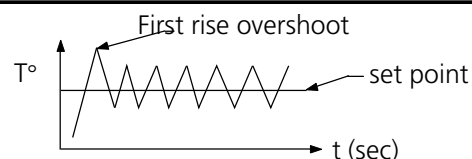
1. Gire la perilla del selector a **CONV. BAKE** o **CONV. ROAST**.
2. Dé vuelta a la perilla de la temperatura a la posición deseada.

El horno comenzará automáticamente y el ventilador comenzará a funcionar. Para cancelar la función de convección baking/roasting, dé vuelta a ambas perillas a la posición de OFF.

**NOTA:** El ventilador funciona continuamente mientras que está en modo de convección. El ventilador parará si se abre la puerta mientras que funcione el modo de convección baking/roasting. El elemento de convección parará el funcionar si se abre la puerta.

## CALENTAMIENTO INICIAL

Es normal ver que la temperatura excede la norma durante el calentamiento inicial en durante cualquier función cuando usted monitoree la temperatura.



## CALIBRACION DEL HORNO

Ajuste el control electrónico del horno para un horneado normal a 350 °F. Obtenga un promedio de temperatura después de 5 ciclos.

La calibración del horno no puede ser modificada.

**Nota:** Cambiar la calibración afectará a todas las funciones de cocción pero no a la función de limpieza y asado.

## HORNO ELEMENTOS

### Modo de Horneado

**Calentamiento inicial (Pre calentado):** El elemento de horneado permanece encendido 40 segundos por minuto. El elemento de asado permanece encendido 15-20 segundos por minuto. El elemento de convección permanece encendido 60 segundos por minuto. El ventilador de convección permanece encendido hasta el final del calentamiento inicial.

**Horneado normal:** El elemento de horneado permanece encendido 45-55 segundos por minuto. El elemento de asado permanece encendido 5 segundos por minuto. El elemento de convección y el ventilador de convección permanecen apagados.

### Modo de Asado

El elemento de asado permanece encendido todo el tiempo.

### Modo de Horneado por convección

**Calentamiento inicial (Pre calentado):** El elemento de horneado permanece encendido 40 segundos por minuto. El elemento de asado permanece encendido 15 segundos por minuto. El elemento de convección permanece encendido 60 segundos por minuto. El ventilador de convección permanece encendido.

**Horneado por convección:** El elemento de horneado y el elemento de asado permanecen apagados todo el tiempo. El elemento de convección y el ventilador de convección permanecen encendidos todo el tiempo.

### Modo de Rostizado por convección

**Calentamiento inicial (Pre calentado):** El elemento de horneado permanece encendido 30 segundos por minuto. El elemento de asado permanece encendido 15-30 segundos por minuto. El elemento de convección permanece encendido 15-60 segundos por minuto. El ventilador de convección permanece encendido.

**Rostizado por convección:** El elemento de horneado permanece encendido 30 segundos por minuto. El elemento de asado permanece encendido 15 segundos por minuto. El elemento de convección permanece encendido 15 segundos por minuto y el ventilador de convección permanece encendido todo el tiempo.

### Modo de Auto Limpieza

**Calentamiento inicial:** El elemento de horneado permanece encendido 20 segundos por minuto. El elemento de asado permanece encendido 40 segundos por minuto. El elemento de convección permanece encendido 10-60 segundos por minuto. El ventilador de convección permanece encendido hasta el final del calentamiento inicial.

**Auto Limpieza:** El elemento de horneado permanece encendido 20 segundos por minuto. El elemento de asado permanece encendido 40 segundos por minuto. El elemento de convección y el ventilador de convección permanecen apagados.

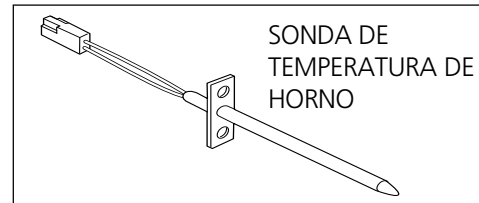
## CODIGOS DE ERROR DEL CONTROL

### DESCRIPCION DE LOS CODIGOS DE ERROR (EOC) DEL CONTROL

Código de error/Condición/Causa	Sugerencia para corregir																																										
<table border="1" style="margin-left: auto; margin-right: auto;"> <thead> <tr> <th colspan="7">Front Panel LED</th> </tr> <tr> <th>1</th> <th>2</th> <th>3</th> <th>4</th> <th>5</th> <th>6</th> <th>7</th> </tr> </thead> <tbody> <tr> <td>X</td> <td></td> <td></td> <td></td> <td>X</td> <td></td> <td></td> </tr> </tbody> </table> <p>El control ha detectado una potencial fuga en la temperatura. El control electrónico puede tener un relevador haciendo corto circuito o la sonda de temperatura puede estar fallando.</p>	Front Panel LED							1	2	3	4	5	6	7	X				X			<p>Verificar la sonda y reemplazar si es necesario. Si el horno sobrecalienta desconectar el suministro eléctrico. Si el horno continúa sobrecalentando cuando el suministro eléctrico es vuelto a conectar, reemplazar el control eléctrico.</p>																					
Front Panel LED																																											
1	2	3	4	5	6	7																																					
X				X																																							
<table border="1" style="margin-left: auto; margin-right: auto;"> <thead> <tr> <th colspan="7">Front Panel LED</th> </tr> <tr> <th>1</th> <th>2</th> <th>3</th> <th>4</th> <th>5</th> <th>6</th> <th>7</th> </tr> </thead> <tbody> <tr> <td>X</td> <td></td> <td></td> <td></td> <td></td> <td>X</td> <td></td> </tr> </tbody> </table> <p>La auto-evaluación del sistema electrónico ha fallado.</p>	Front Panel LED							1	2	3	4	5	6	7	X					X		<p>Reemplazar el control electrónico.</p>																					
Front Panel LED																																											
1	2	3	4	5	6	7																																					
X					X																																						
<table border="1" style="margin-left: auto; margin-right: auto;"> <thead> <tr> <th colspan="7">Front Panel LED</th> </tr> <tr> <th>1</th> <th>2</th> <th>3</th> <th>4</th> <th>5</th> <th>6</th> <th>7</th> </tr> </thead> <tbody> <tr> <td>X</td> <td></td> <td></td> <td></td> <td></td> <td></td> <td>X</td> </tr> </tbody> </table> <p>La auto-suma del EEPROM es incorrecta, la auto-suma interna puede estar dañada.</p>	Front Panel LED							1	2	3	4	5	6	7	X						X	<p>Desconectar el suministro eléctrico, esperar 30 segundos y reconectarlo. Si la falla regresa, reemplazar el control electrónico.</p>																					
Front Panel LED																																											
1	2	3	4	5	6	7																																					
X						X																																					
<table border="1" style="margin-left: auto; margin-right: auto;"> <thead> <tr> <th colspan="7">Front Panel LED</th> </tr> <tr> <th>1</th> <th>2</th> <th>3</th> <th>4</th> <th>5</th> <th>6</th> <th>7</th> </tr> </thead> <tbody> <tr> <td></td> <td></td> <td>X</td> <td></td> <td>X</td> <td></td> <td></td> </tr> </tbody> </table> <p>Circuito abierto en la sonda de temperatura/ problema de cableado</p> <table border="1" style="margin-left: auto; margin-right: auto;"> <thead> <tr> <th colspan="7">Front Panel LED</th> </tr> <tr> <th>1</th> <th>2</th> <th>3</th> <th>4</th> <th>5</th> <th>6</th> <th>7</th> </tr> </thead> <tbody> <tr> <td></td> <td></td> <td>X</td> <td></td> <td></td> <td>X</td> <td></td> </tr> </tbody> </table> <p>Corto circuito en la sonda de temperatura/ problema de cableado</p>	Front Panel LED							1	2	3	4	5	6	7			X		X			Front Panel LED							1	2	3	4	5	6	7			X			X		<p>-Verificar que el cableado en el circuito de la sonda no este abierto o en corto. -Verificar la resistencia de la sonda a temperatura ambiente (compararla con la tabla de resistencias). Si la resistencia no es la misma, reemplazar la sonda. - Dejar que el horno se enfríe y reiniciar la función, si el problema persiste, reemplazar el control electrónico.</p>
Front Panel LED																																											
1	2	3	4	5	6	7																																					
		X		X																																							
Front Panel LED																																											
1	2	3	4	5	6	7																																					
		X			X																																						
<table border="1" style="margin-left: auto; margin-right: auto;"> <thead> <tr> <th colspan="7">Front Panel LED</th> </tr> <tr> <th>1</th> <th>2</th> <th>3</th> <th>4</th> <th>5</th> <th>6</th> <th>7</th> </tr> </thead> <tbody> <tr> <td></td> <td>X</td> <td>X</td> <td>X</td> <td></td> <td></td> <td></td> </tr> </tbody> </table> <p>Problema en el mecanismo del motor del seguro de la puerta.</p> <p>Leyenda de las luces (LED):</p> <ol style="list-style-type: none"> <li>1- Horneado</li> <li>2- Horneado por Convección</li> <li>3- Rostizado por Convección</li> <li>4- Asado a la Parrilla</li> <li>5- Auto Limpieza</li> <li>6- Puerta Cerrada y Asegurada</li> <li>7- Quitar las Parrillas y Soportes</li> </ol>	Front Panel LED							1	2	3	4	5	6	7		X	X	X				<p>-Desconectar el suministro eléctrico por 30 segundos y reconectar. -Verificar el cableado del motor del seguro, y de los interruptores en el circuito. - Desconectar el motor del control electrónico y aplicar corriente (L1) directamente al motor. Si el motor no gira, reemplazar el ensamblaje del motor. -Verificar con un medidor de ohms si el interruptor abre y cierra el circuito correctamente (El motor puede ser encendido como se explica en el paso anterior). Si el interruptor es defectuoso, reemplazar el ensamblaje del motor. -Si los pasos anteriores no resuelven el problema, reemplazar el control electrónico.</p>																					
Front Panel LED																																											
1	2	3	4	5	6	7																																					
	X	X	X																																								

RTD SCALE		
Temp. °F	Temp. °C	Resistencia (ohms)
32 ± 1.9	0.0 ± 1.1	1000 ± 4.0
75 ± 2.5	23.9 ± 1.4	1091 ± 5.3
250 ± 4.4	121.1 ± 2.4	1453 ± 8.9
350 ± 5.4	176.7 ± 3.0	1654 ± 10.8
450 ± 6.9	232.2 ± 3.8	1852 ± 13.5
550 ± 8.2	287.8 ± 4.6	2047 ± 15.8
650 ± 9.6	343.3 ± 5.3	2237 ± 18.5
900 ± 13.6	482.2 ± 7.6	2697 ± 24.4

CALIBRACIÓN ELÉCTRICA			
KW Calibración 240/208 V	Vea placa de serie	Vatio de elemento para hornear	Estufa de 30" 2500W/1879W Estufa de 36": 3000W/2253W
Vatio de elemento para asar	4000W/3004W	Vatio de elemento de convección	2500W/1879W



MATRIZ DE ANALISIS DE CIRCUITOS PARA ESTUFA										
	DLB1 L2 Salida P10	DLB2 L2 Salida P12	Hornear P2	Asar P3	Conv P4	Motor del seguro de la puerta P3	Ventilador de conv P15	Interruptor de la puerta P5-6 & P5-5	Vent. de enfriam. vel. Baja P5-3	Vent. de enfriam. vel. Alta P5-4
Hornear	X	X	X	X	X		X		X	
Conv. hornear	X	X	X	X	X		X		X	
Conv. asar	X	X	X	X	X		X		X	
Asar	X			X						X
Limpieza	X	X	X	X	X		X		X	X
Cerrado						X*				
Desbloquear						X				
Puerta abierta										
Puerta cerra								X		

\* El motor del seguro de la puerta solamente cerrara si el interruptor de las parrillas esta cerrado (Las parrillas no están instaladas).

■ El relevador operará solamente en esta condición.

### Interruptor de las Parrillas:

Las parrillas y sus soportes deben ser sacados del horno para hacer un ciclo de auto limpieza. Si se intenta hacer un ciclo de auto limpieza con las parrillas dentro del horno, la luz indicadora de quitar las parrillas en el panel frontal parpadeara para indicar al usuario que saque las parrillas.

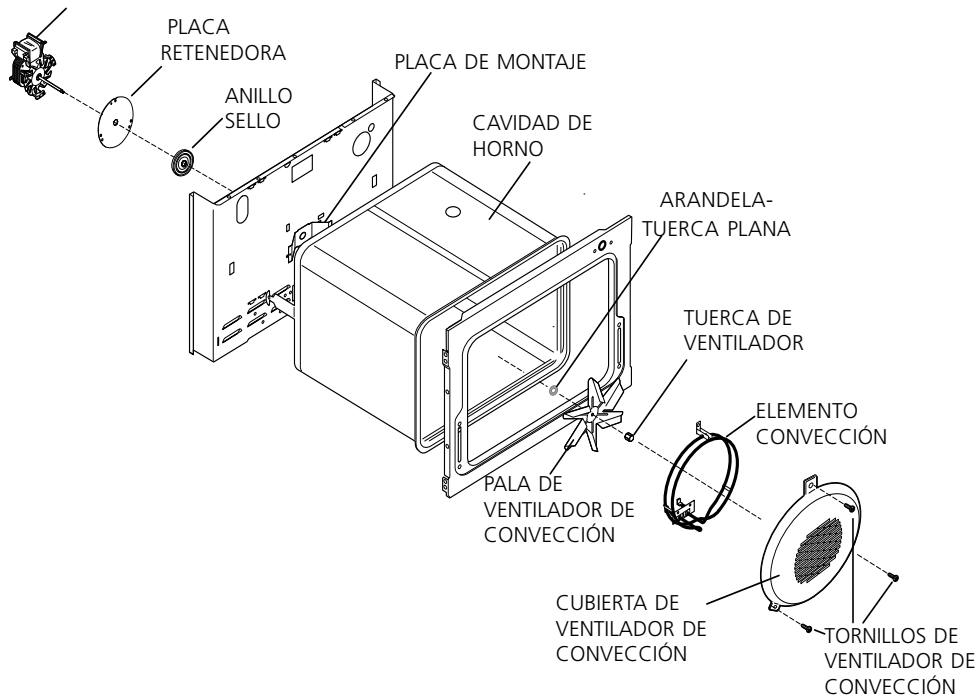
La lógica del interruptor de las parrillas es la siguiente:

Parrillas instaladas = Interruptor abierto

Parrillas no instaladas = Interruptor Cerrado

## VISTA DETALLADA DEL SISTEMA DE CONVECCIÓN

MONTAJE PARA MOTOR DE VENTILADOR DE CONVECCIÓN



## ASPAS DEL VENTILADOR

El aspa del ventilador está montada en la parte trasera de la unidad y tiene un orificio forma de "D". Solamente existe un pequeño espacio entre la parte posterior del horno, el aspa del ventilador y la cubierta del ventilador del horno. Tenga mucho cuidado de no doblar las aspas cuando las retire o las instale.

Se tiene acceso al aspa del ventilador retirando la cubierta de este por adentro del horno. La cubierta del ventilador está fijada con 3 tornillos.

El aspa del ventilador está fijada con una tuerca hexagonal con enrosques **hacia la izquierda**. Cuando quite esta tuerca, sostenga delicadamente el aspa del ventilador y gire la tuerca en la dirección de las agujas de un reloj. Si unas de estas aspas se deforman, se pueden doblar para que retome su forma original, doble sobre una superficie plana.

Una arandela-tuerca plana está situada en el eje del motor entre el anillo sujetador y la aspa del ventilador.

**NOTA:** Si el aspa del ventilador está doblada y las vibraciones del motor aumentan, el ventilador producirá más ruido.

## PLACA DE MONTAJE DEL HORNO

El motor del ventilador localizado detrás del aparato, está ajustado a la parte trasera (con tres tornillos). Hay una placa de montaje sostenida en su lugar entre la parte trasera (con dos tornillos) y la pared trasera del horno (con dos tornillos). Si es necesario reemplazar la cavidad del horno, tiene que retirar los 2 tornillos situados dentro del aparato detrás de la cavidad del horno.

## MOTOR DEL VENTILADOR

El motor del ventilador de 120 voltios está situado en el exterior de la parte posterior del horno. El ventilador tiene 2 opciones de la velocidad, que son reguladas por el control del horno. El modo de alta velocidad se utiliza dentro los ciclos de auto-limpieza cuando la temperatura excede los 575°F. Esta velocidad también se utiliza durante la función del asado. El ventilador puede permanecer en esta velocidad después de que una función de asar fue cancelada para permitir un mejor proceso de enfriado del horno.

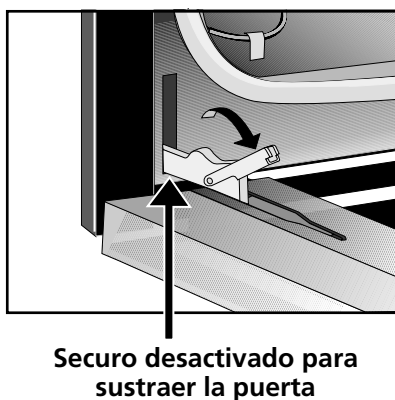
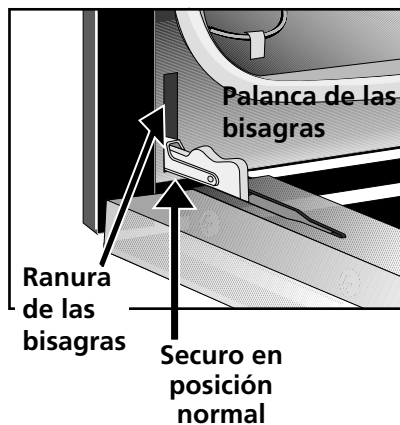
## RETRAZO DEL VENTILADOR

El motor del ventilador funcionará continuamente en el modo de convección mientras la puerta no este abierta. Si el ventilador no funciona, revise lo siguiente:

- 1) 120 voltios disponible en el motor del ventilador.
- 2) El motor del ventilador tiene una resistencia de 15 ohms  $\pm$  10%.
- 3) Boton de puerta /luz

## PARA QUITAR Y REINSTALAR LA PUERTA DEL HORNO

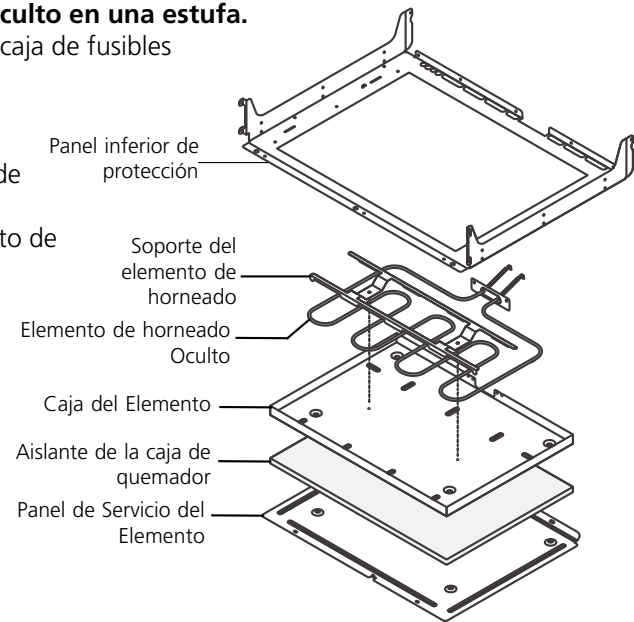
1. Abra la puerta del horno por completo.
2. Levante el seguro de cada bisagra, puede ser que tenga que presionar un poco para levantarlo.
3. Tome la puerta por los lados, jale el fondo de la puerta hacia arriba y al frente para sacar los soportes de la bisagra. Siga jalando hacia usted la puerta rotándola al mismo tiempo hacia la estufa para sacar por completo la bisagra.
4. Para reinstalarla de nuevo proceda a la inversa. Asegúrese que los soportes de la bisagra estén completamente dentro antes de desactivar el seguro de la bisagra.



## PARA RETIRAR EL ELEMENTO OCULTO "TRUE HIDDEN BAKE"

Siga los pasos siguientes para sustituir el elemento oculto en una estufa.

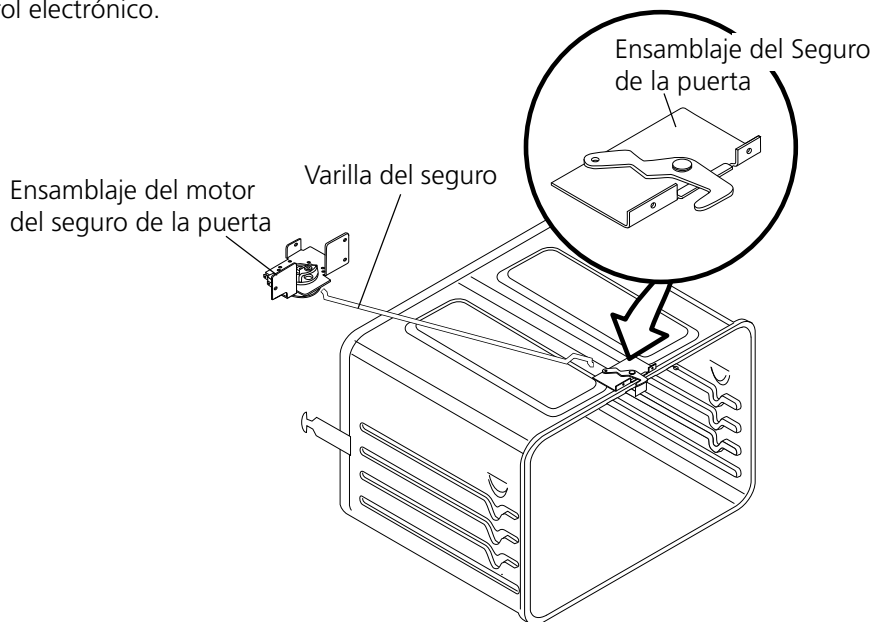
1. Desconecte la energía a la caja del interruptores o a la caja de fusibles
2. Retire la moldura decorativa inferior
3. Retire los 2 o 3 tornillos que sostienen la moldura
4. Coloque el panel de servicio en el piso.
5. Desconecte el elemento de horneado y retire el panel de servicio asamblea.
6. Retire los 2 tornillo y el soporte que sostiene el elemento de horneado
7. Sustituya el elemento de horneado
8. Sujete el soporte con los 2 tornillos.
9. Conecte el elemento.
10. Coloque el panel de servicio en la abertura debajo cavidad. Asegúrese que la parte posterior del panel de servicio ente en la abertura y los cables del elemento estén debidamente colocador en la parte posterior
11. Levante el panel de servicio y sujételo con los 2 o 3 tornillos.
12. Reinstale la moldura inferior.



## MECANISMO DE CIERRE DE PUERTA

Esta unidad esta equipa con un control electrónico del horno y tiene una característica de cierre automático de la puerta. Cuando se programa el ciclo de auto-limpieza, la puerta es trabada-asegurada por un sistema cierre operado por un motor. El interior del horno no necesita calentarse hasta 500°F/260°C antes de que se cierre la puerta. Sin embargo, hasta que la temperatura dentro del horno alcance 500°F/ 260°C, el programa de auto-limpieza puede ser cancelado y la puerta abrirá inmediatamente.

El interruptor del motor del seguro de la puerta esta conectado entre el pin 5 y el pin 7 del conector P5 en el tablero o control electrónico.





# FEUILLET DE DONNÉES D'ENTRETIEN 318204802 (0703) Rev. A

Pour appareils munis d'une commande de four électronique

## AVIS

Cette feuille de données d'entretien est destinée aux personnes ayant reçu une formation en électricité et en mécanique, et qui possèdent un niveau de connaissance jugé acceptable dans l'industrie de réparation des appareils électroménagers. **Le fabricant ne peut être tenu responsable, ni n'assumer aucune responsabilité, pour toute blessure ou dommage de quelque nature que ce soit pouvant résulter de l'utilisation de cette feuille de données.**

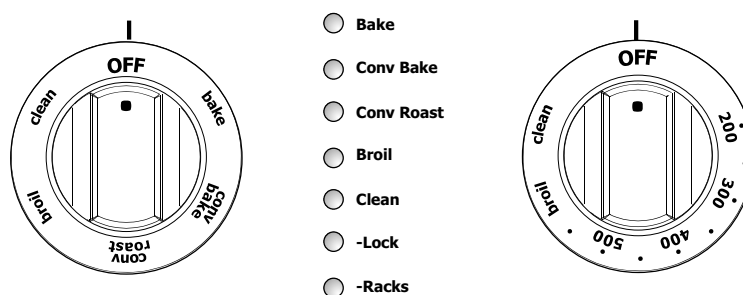
## PRATIQUES D'ENTRETIEN SÉCURITAIRES

Pour éviter tout risque de blessure et/ou dommage matériel, il est important que des pratiques d'entretien sécuritaires soient suivies. Voici quelques exemples de pratiques sécuritaires.

1. N'essayez jamais de réparer un appareil si vous ne croyez pas avoir les compétences nécessaires pour le faire de manière satisfaisante et sécuritaire.
2. Avant de procéder au service d'entretien ou de déplacer tout appareil ménager, débranchez le cordon d'alimentation de la prise électrique, réglez le disjoncteur de circuit à OFF, ou enlevez le fusible et fermez le robinet d'alimentation en gaz.
3. N'entravez jamais l'installation adéquate de tout dispositif de sécurité.
4. UTILISEZ QUE les pièces de remplacement énumérées dans le catalogue pour cet appareil. LA MOINDRE SUBSTITUTION risque de ne pas être conforme aux normes de sécurité établies pour les appareils électroménagers.
5. MISE À LA TERRE: La couleur de codage standard des conducteurs de mise à la terre de sécurité est VERTE ou VERTE À BARRES JAUNES. Les conducteurs de mise à la terre ne doivent pas être utilisés comme conducteurs de courant. Il est d'une IMPORTANCE CAPITALE que le technicien d'entretien complète toutes les mises à la terre de sécurité avant de terminer le service. Si cette recommandation n'est pas suivie à la lettre, il en résultera des risques pour les personnes et les biens.
6. Avant de retourner le produit au service de réparation ou d'entretien, assurez-vous que:
  - Toutes les connexions électriques sont correctes et sécuritaires.
  - Tous les conducteurs électriques sont correctement préparés et sécuritaire à l'abri des bords tranchants, des composants à température élevée, et des parties mobiles.
  - Toutes les bornes électriques, connecteurs, réchauffeurs, etc. dénudés sont espacés convenablement loin de toute pièce en métal et des panneaux.
  - Toutes les mises à la terre de sécurité (interne et externe) sont correctement assemblées de façon sécuritaire.
  - Tous les panneaux sont correctement et fermement remontés.

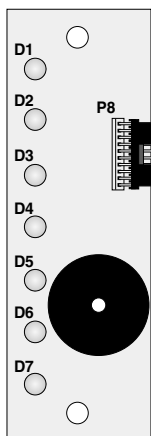
## COMMANDE ÉLECTRONIQUE DE FOUR

1. Cette commande électronique de four autonettoyant offre les fonctions suivantes: cuisson au four, griller, cuisson à convection et rôtissage à convection et nettoyage du four.
2. Le mode convection fonctionne avec un ventilateur et un élément qui lui est propre.
3. Cette commande de four est équipée d'un panneau d'affichage et d'un panneau de contrôle et potentiomètres



**NOTE:** Cette commande de four n'est pas réparable sur place. Par contre des ajustements de température peuvent être faits. Voir étalonnage du four.  
Imprimé aux États-Unis

## PANNEAU ÉLECTRONIQUE D'AFFICHAGE

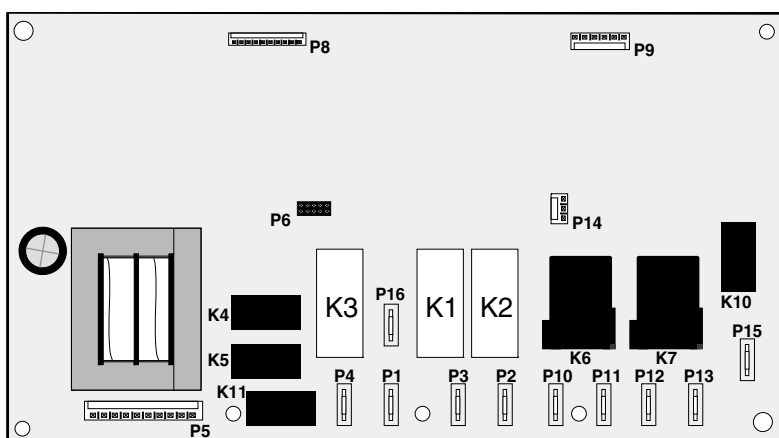


Ce panneau d'affichage est présent sur les cuisinières

- D1- Lampe témoin du mode: Cuisson.
- D2- Lampe témoin du mode: Cuisson à convection.
- D3- Lampe témoin du mode: Rôtissage à convection.
- D4- Lampe témoin du mode: Grillage.
- D5- Lampe témoin du mode: Nettoyage.
- D6- Lampe témoin du mode: verrouillage.
- D7- Lampe témoin détectant la présence des grilles dans le four.

## COMMANDE ÉLECTRONIQUE DU FOUR

### Panneau de relais de la commande électronique



### Légende du panneau de relais:

- K1 Relais grill
- K2 Relais cuisson
- K3 Relais convection
- K4 Relais du ventilateur de refroidissement (basse vitesse)
- K5 Relais moteur verrou
- K6 DLB des éléments de cuisson et de grillage
- K7 DLB de l'élément de convection
- K10 Relais du ventilateur convection
- K11 Relais du ventilateur de refroidissement (haute vitesse)

### Têtes

- P5. Sortie et entrée du relais 120V
- Pin 1 Neutre
- Pin 2 120V au MDL
- Pin 3 120V au ventilateur de refroidissement - 1re vitesse
- Pin 4 120V au ventilateur de refroidissement - 2me vitesse
- Pin 5 Commun pour MDL, l'interrupteur de porte et le détecteur de grilles
- Pin 6 Interrupteur de porte
- Pin 7 MDL de l'interrupteur
- Pin 8 Sonde du four
- Pin 9 Sonde du four
- Pin 10 Détecteur de grilles

### Terminaux

- P1. L1
- P2. Grill
- P3. Cuisson
- P4. Élément convection
- P10. Sortie L2 (cuisson & grill)
- P11. Entrée L2 (cuisson & grill)
- P12. Sortie L2 (élément convection)
- P13. Entrée L2 (élément convection)
- P15. Ventilateur convection
- P16. L1

### Têtes

- P9. Connexions au potentiomètre
- Pin 1 Sélecteur de temp. pin 3
- Pin 2 Sélecteur de temp. pin 2
- Pin 3 Sélecteur de temp. pin 1
- Pin 4 Sélecteur de fonction pin 3
- Pin 5 Sélecteur de fonction pin 2
- Pin 6 Sélecteur de fonction pin 1
- P8 LED du module de connexion

### Lampe(s) à l'intérieur du four:

La (les) lampe(s) à l'intérieur du four est (sont) contrôlée (s) par un interrupteur situé sur le panneau avant ainsi que par l'interrupteur de la porte. Pour allumer la (les) lampe (s) à l'intérieur du four, ouvrez la porte du four ou réglez l'interrupteur à marche.

## MODE CONVECTION

Le four à convection utilise un élément et un ventilateur pour chauffer et faire circuler l'air qui se trouve déjà dans le four. La circulation de l'air chaud permet de déstratifier la chaleur et d'obtenir une répartition de la chaleur uniforme. L'air est attiré vers l'élément à l'intérieur du diffuseur du ventilateur situé sur la paroi arrière du four. Il est ensuite libéré autour des extrémités extérieures du diffuseur. L'air circule autour de l'aliment et pénètre à nouveau dans le diffuseur. Comme sur tous les appareils de cuisson, il existe un évent qui évacue l'air.

Pour régler la commande de cuisson par convection, suivez les étapes ci-dessous:

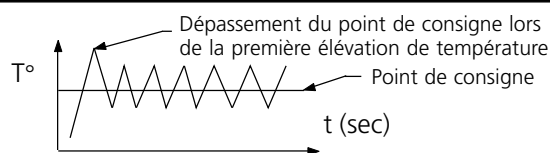
1. Tournez le bouton sélecteur à la position **CONV. BAKE** ou **CONV. ROAST**.
2. Tournez le bouton température à la température désirée.

Le four et le ventilateur se mettent automatiquement en marche. Pour annuler la fonction de cuisson par convection, tournez les boutons sélecteur et température à la position **Off**.

**NOTE:** Le ventilateur fonctionne sans interruption durant la cuisson par convection. Le ventilateur s'arrête si la porte s'ouvre pendant la cuisson/rôtissage par convection. L'élément de convection arrête de fonctionner si la porte est ouverte.

## PREMIÈRE ÉLÉVATION DE LA TEMPÉRATURE

Il est normal de voir la température du four dépasser le point de consigne désiré lors de sa première élévation de température et ce pour les différentes fonctions.



## CALIBRATION DU FOUR

Réglez le point de consigne pour une cuisson traditionnelle à 350°F (177°C). Mesurez la température moyenne du four après un minimum de 5 cycles.

La calibration de ce four ne peut pas être ajusté.

**Note:** Modifier la calibration affecte tous les modes de cuisson mais pas les modes de nettoyage et de grillage.

## FONCTIONNEMENT DES ÉLÉMENTS DU FOUR (les durées sont approximatives)

### Mode de cuisson

**Première élévation de la température (préchauffage):** L'élément de cuisson fonctionne 40 secondes par minute; l'élément gril, 15-20 secondes. L'élément convection est en fonction 60 secondes par minute. Le ventilateur convection fonctionne jusqu'à ce que la température de cuisson désirée soit atteinte.

**Cuisson normale:** L'élément de cuisson fonctionne 45-55 secondes par minute et l'élément gril, 5 secondes par min. L'élément ainsi que le ventilateur convection sont inactifs.

**Mode de grillage:** L'élément gril est toujours en fonction.

### Mode cuisson à convection

**Première élévation de la température (préchauffage):** L'élément de cuisson fonctionne 40 secondes par minute; l'élément gril, 15 secondes. L'élément convection fonctionne 60 secondes par minute. Le ventilateur convection fonctionne.

**Cuisson à conv:** Les éléments de cuisson et de grillage sont inactifs. L'élément ainsi que le ventilateur convection sont continuellement actifs.

### Mode de rôtissage à convection

**Première élévation de la température (préchauffage):** L'élément de cuisson fonctionne 30 secondes par minute; l'élément gril, 15-30 secondes par minute. L'élément convection fonctionne 15-60 secondes par minute. Le ventilateur convection fonctionne continuellement durant le préchauffage.

**Rôtissage à conv:** L'élément de cuisson fonctionne 30 secondes par minute; l'élément gril, 15 secondes; l'élément convection, 15 secondes et le ventilateur convection est continuellement actif.

### Mode nettoyage:

**Première élévation de la température (préchauffage):** L'élément de cuisson fonctionne 20 secondes par minute; l'élément gril, 20 secondes; l'élément convection, 10-60 secondes par minute et le ventilateur convection fonctionne jusqu'à ce que la température de cuisson désirée soit atteinte.

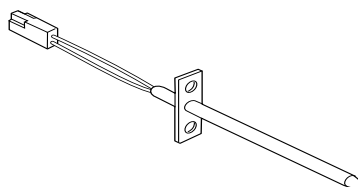
**Durant le nettoyage:** Une fois la température de nettoyage atteinte, l'élément de cuisson fonctionne 20 secondes par minute; l'élément gril, 40 secondes et l'élément ainsi que le ventilateur convection sont

## DESCRIPTION DES CODES D'ERREUR DE LA COMMANDE DE FOUR

Code d'erreur/Condition/Cause	Action corrective suggérée																																										
<table border="1" style="margin-left: auto; margin-right: auto;"> <thead> <tr> <th colspan="7">Lampes témoins du panneau avant</th> </tr> <tr> <th>1</th> <th>2</th> <th>3</th> <th>4</th> <th>5</th> <th>6</th> <th>7</th> </tr> </thead> <tbody> <tr> <td>X</td> <td></td> <td></td> <td></td> <td>X</td> <td></td> <td></td> </tr> </tbody> </table> <p>La commande de four a décelé une condition d'emballage possible. La commande présente un relais en court-circuit, (RTD) mauvais fonctionnement de la sonde.</p>	Lampes témoins du panneau avant							1	2	3	4	5	6	7	X				X			<p>Vérifier la sonde RTD et la remplacer si nécessaire. Si le four surchauffe, couper le courant. Si le four continue de surchauffer une fois que le courant est rétabli, remplacer la commande de four.</p>																					
Lampes témoins du panneau avant																																											
1	2	3	4	5	6	7																																					
X				X																																							
<table border="1" style="margin-left: auto; margin-right: auto;"> <thead> <tr> <th colspan="7">Lampes témoins du panneau avant</th> </tr> <tr> <th>1</th> <th>2</th> <th>3</th> <th>4</th> <th>5</th> <th>6</th> <th>7</th> </tr> </thead> <tbody> <tr> <td>X</td> <td></td> <td></td> <td></td> <td></td> <td>X</td> <td></td> </tr> </tbody> </table> <p>Micro ID incorrect, Problème avec l'auto vérification du contrôleur.</p>	Lampes témoins du panneau avant							1	2	3	4	5	6	7	X					X		<p>Remplacer le panneau de contrôle.</p>																					
Lampes témoins du panneau avant																																											
1	2	3	4	5	6	7																																					
X					X																																						
<table border="1" style="margin-left: auto; margin-right: auto;"> <thead> <tr> <th colspan="7">Lampes témoins du panneau avant</th> </tr> <tr> <th>1</th> <th>2</th> <th>3</th> <th>4</th> <th>5</th> <th>6</th> <th>7</th> </tr> </thead> <tbody> <tr> <td>X</td> <td></td> <td></td> <td></td> <td></td> <td></td> <td>X</td> </tr> </tbody> </table> <p>EEPROM incorrect, La mémoire interne du contrôle est corrompue.</p>	Lampes témoins du panneau avant							1	2	3	4	5	6	7	X						X	<p>Couper le courant, attendre 30 secondes et rebrancher le courant. Si l'erreur réapparaît une fois le courant réétabli, remplacer le panneau de contrôle.</p>																					
Lampes témoins du panneau avant																																											
1	2	3	4	5	6	7																																					
X						X																																					
<table border="1" style="margin-left: auto; margin-right: auto;"> <thead> <tr> <th colspan="7">Lampes témoins du panneau avant</th> </tr> <tr> <th>1</th> <th>2</th> <th>3</th> <th>4</th> <th>5</th> <th>6</th> <th>7</th> </tr> </thead> <tbody> <tr> <td></td> <td></td> <td>X</td> <td></td> <td>X</td> <td></td> <td></td> </tr> </tbody> </table> <p>Senseur RTD de la sonde de température/ Problème de filage.</p> <table border="1" style="margin-left: auto; margin-right: auto;"> <thead> <tr> <th colspan="7">Lampes témoins du panneau avant</th> </tr> <tr> <th>1</th> <th>2</th> <th>3</th> <th>4</th> <th>5</th> <th>6</th> <th>7</th> </tr> </thead> <tbody> <tr> <td></td> <td></td> <td>X</td> <td></td> <td></td> <td>X</td> <td></td> </tr> </tbody> </table> <p>Court-circuit senseur RTD sensor de la sonde/ Problème de filage.</p>	Lampes témoins du panneau avant							1	2	3	4	5	6	7			X		X			Lampes témoins du panneau avant							1	2	3	4	5	6	7			X			X		<ul style="list-style-type: none"> <li>- Vérifier le circuit de la sonde du four, il est possible que le fil soit débranché ou coupé.</li> <li>- Vérifier la résistance de la sonde RTD (comparer la valeur au tableau). Si la valeur ne concorde pas avec le tableau, remplacer le senseur de la sonde.</li> <li>- Laisser le four refroidir et redémarrer la fonction.</li> <li>- Si le problème persiste, remplacer le panneau de contrôle.</li> </ul>
Lampes témoins du panneau avant																																											
1	2	3	4	5	6	7																																					
		X		X																																							
Lampes témoins du panneau avant																																											
1	2	3	4	5	6	7																																					
		X			X																																						
<table border="1" style="margin-left: auto; margin-right: auto;"> <thead> <tr> <th colspan="7">Lampes témoins du panneau avant</th> </tr> <tr> <th>1</th> <th>2</th> <th>3</th> <th>4</th> <th>5</th> <th>6</th> <th>7</th> </tr> </thead> <tbody> <tr> <td></td> <td>X</td> <td>X</td> <td>X</td> <td></td> <td></td> <td></td> </tr> </tbody> </table> <p>Système de verrouillage de porte défectueux.</p> <p><b>Légende du LCD:</b>            1 - Cuire            2 - Cuire à convection            3 - Rôtir à convection            4 - Griller            5 - Nettoyer            6 - Verrouiller            7 - Enlever les grilles</p>	Lampes témoins du panneau avant							1	2	3	4	5	6	7		X	X	X				<ul style="list-style-type: none"> <li>- Éteindre le courant pour 30 secondes, réappliquer le courant.</li> <li>- Vérifier le filage du moteur verrou, les circuits de l'interrupteur verrou.</li> <li>- Débrancher le moteur verrou du panneau et appliquer L1 directement au moteur verrou. Si le moteur ne tourne pas, remplacer l'assemblé moteur verrou.</li> <li>- Vérifier si l'interrupteur verrou fonctionne adéquatement (Est-ce qu'il ouvre et ferme, vérifier avec un ohmètre). Si l'interrupteur verrou est défectueux, remplacez l'assemblé moteur verrou.</li> <li>- Si toutes les étapes précédentes ont échoué, remplacer le panneau de contrôle.</li> </ul>																					
Lampes témoins du panneau avant																																											
1	2	3	4	5	6	7																																					
	X	X	X																																								

RTD TABLEAU		
Temp. °F	Temp. °C	Resistance (ohms)
32 ± 1.9	0.0 ± 1.1	1000 ± 4.0
75 ± 2.5	23.9 ± 1.4	1091 ± 5.3
250 ± 4.4	121.1 ± 2.4	1453 ± 8.9
350 ± 5.4	176.7 ± 3.0	1654 ± 10.8
450 ± 6.9	232.2 ± 3.8	1852 ± 13.5
550 ± 8.2	287.8 ± 4.6	2047 ± 15.8
650 ± 9.6	343.3 ± 5.3	2237 ± 18.5
900 ± 13.6	482.2 ± 7.6	2697 ± 24.4

CARACTÉRISTIQUES ÉLECTRIQUES			
Puissance en Kw 240/208 V	Voir la plaque de série	Élement de cuisson Watts	Cuisinière 30" 2500W/1879W Cuisinière 36" 3000W/2253W
Élement grill Watts	4000W/3004W	Élement convection Watts	2500W/1879W



Sonde température du four

MATRICE D'ANALYSE DU CIRCUIT DE L'APPAREIL										
	DLB1 L2 Sortie P10	DLB2 L2 Sortie P12	Cuisson P2	Gril P3	Conv. P4	Moteur de porte P3	Vent. Conv. P15	Int. porte P5-6 & P5-5	Vent. Refroid. Basse Vit. P5-3	Vent. Refroid. Haute Vit. P5-4
Cuisson	X	X	X	X	X		X		X	
Cuisson Conv.	X	X	X	X	X		X		X	
Rôtissage Conv.	X	X	X	X	X		X		X	
Grillage	X			X						X
Nettoyage	X	X	X	X	X		X		X	X
Verrouillage						X*				
Déverrouillage						X				
Porte ouverte										
Porte fermée								X		

\* Le moteur verrou verrouillera la porte seulement si le senseur des supports de grilles est fermé (supports de grilles retirés du four).

■ Le relais sera en opération dans cette condition seulement.

### **Interrupteur du senseur des supports de grilles:**

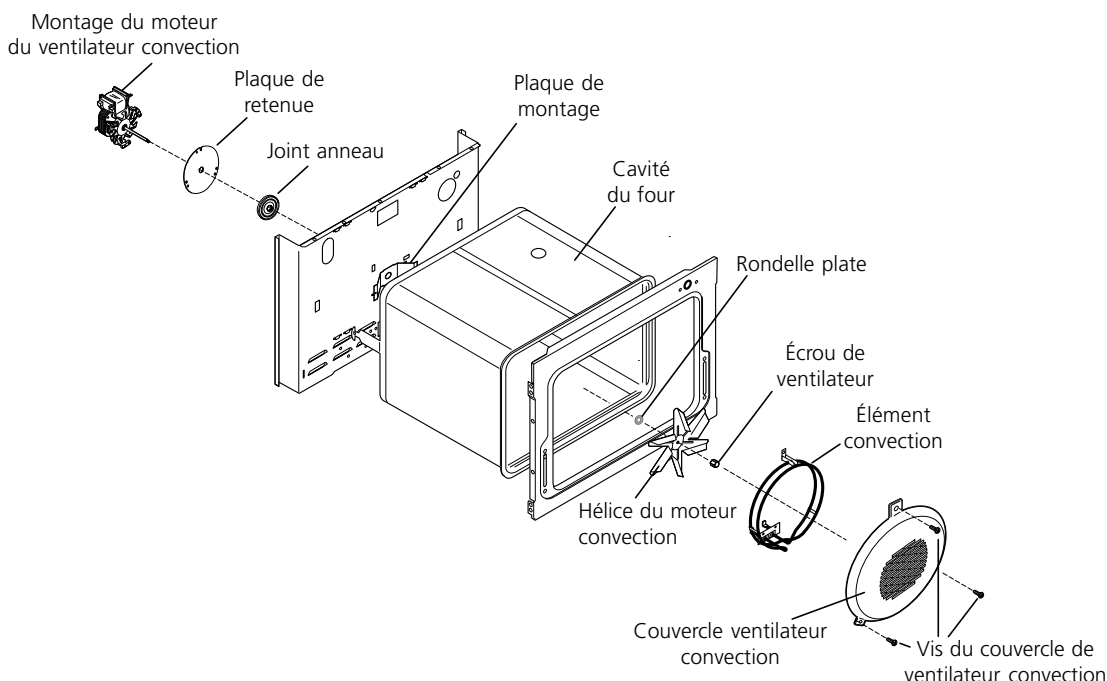
Les grilles et les supports des grilles doivent être enlevés du four pour pouvoir sélectionner un cycle autonettoyant. Le témoin lumineux des supports de grilles, situé sur le panneau de commandes, gignotera pour indiquer à l'utilisateur de retirer les grilles et les supports de grilles, si vous essayez de démarrer un cycle autonettoyant avec les grilles dans le four.

La logique de l'interrupteur est la suivante:

Supports de grilles installés = interrupteur ouvert

Supports de grilles non présents = interrupteur fermé

## VUE EXPLOSÉE DU SYSTÈME PAR CONVECTION



### HÉLICE DU VENTILATEUR À CONVECTION

L'hélice du ventilateur est montée à l'arrière du four et est pourvue d'un orifice en forme de D. Il n'existe qu'un minimum de dégagement entre l'arrière du four, l'hélice du moteur convection, et le couvercle ventilateur convection. Veillez à ne pas recourber les pales de l'hélice lors d'un démontage ou d'un montage.

Vous pouvez avoir accès à l'hélice du moteur convection en enlevant le couvercle ventilateur convection retenu par trois vis à l'intérieur du four.

L'hélice du moteur convection est retenue par un écrou hexagonal ayant un filetage dans le sens inverse des aiguilles d'une montre. Lorsque vous enlevez cet écrou, retenez avec soin l'hélice du moteur convection puis tournez dans le sens des aiguilles d'une montre. Si l'une des pales se déforme, vous pouvez la redresser sur une surface plane.

Une bague plate est située sur l'arbre du moteur entre l'anneau élastique de l'arbre et l'éventail du ventilateur.

**NOTE:** Si l'hélice du moteur convection est courbée et que les vibrations du moteur augmentent, le bruit provenant du ventilateur augmentera également.

### PLAQUE DE MONTAGE DU FOUR

Le moteur du ventilateur situé à l'arrière de l'unité est fixé à la paroi arrière principale avec trois vis. Il y a une plaque de montage retenue entre la paroi arrière principale (avec 2 vis) et la paroi arrière de la cavité (avec 2 vis). S'il s'avère nécessaire de remplacer la cavité du four, vous devez enlever les deux vis situées à l'intérieur de l'unité de la cavité de four.

### MOTEUR DU VENTILATEUR DE REFROIDISSEMENT

Le moteur du ventilateur est situé à l'extérieur de la paroi arrière du four. C'est un moteur alimenté à 120 volts. Ce ventilateur possède 2 vitesses, lesquelles sont contrôlées par le programmeur. La haute vitesse est en fonction lorsque le four est utilisé pour un cycle autonettoyant et atteint une température supérieure à 575°F. Cette vitesse est aussi utilisée lors de la cuisson au gril. Le programmeur continu d'utiliser la haute vitesse du ventilateur de refroidissement aussi longtemps que le four est suffisamment refroidi après qu'une cuisson au gril est annulée.

## MOTEUR DU VENTILATEUR À CONVECTION

Le moteur du ventilateur est alimenté sur le 120 volt et est situé à l'arrière du four.

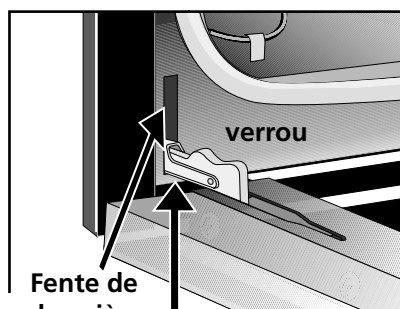
Le moteur du ventilateur fonctionne sans arrêt en mode cuisson par convection à moins que la porte soit ouverte. Si le ventilateur ne fonctionne pas, faites les vérifications suivantes:

- 120 Volts est disponible au moteur du ventilateur.
- Résistance du bobinage du moteur du ventilateur 15 ohms  $\pm$  10%.
- Interrupteur porte/lumière.

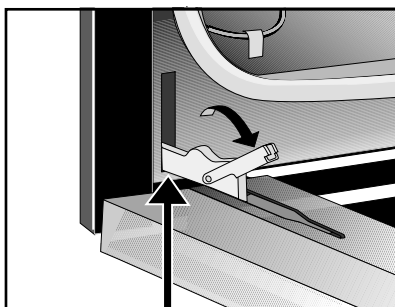
## ENLÈVEMENT ET REMPLACEMENT DE LA PORTE DU FOUR

### Pour enlever et réinstaller la porte du four

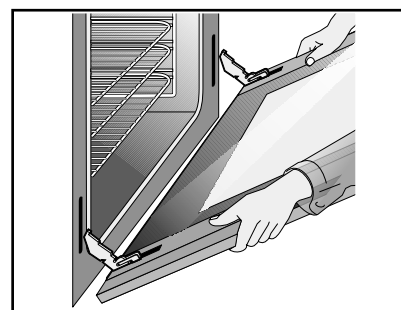
1. Ouvre la porte à son maximum.
2. Tirez vers le haut les verrous situés sur chaque charnière. Vous devrez peut-être mettre une petite pression lorsque vous tirerez le loquet vers le haut.
3. Tenez la porte par les côtés, tirez la partie inférieure de la porte vers le haut et dans votre direction pour dégager les leviers des charnières
4. Pour remonter, répétez les opérations dans l'ordre inverse. Assurez-vous que les supports de charnières sont entièrement engagés avant de déverrouiller les leviers des charnières.



Verrou en position normale



Verrou engagé pour démonter la porte

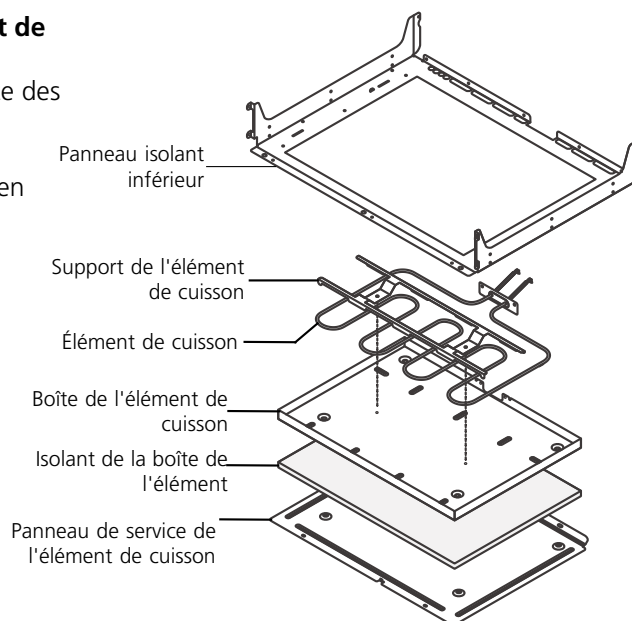


Dégagez la porte de la fente de charnière

## REPLACEMENT DE L'ÉLÉMENT DE CUISSON SUR LA CUISINIÈRE

### Suivez les étapes suivantes pour remplacer l'élément de cuisson

1. Coupez le courant au panneau électrique ou à la boîte des fusibles.
2. Enlevez la moulure inférieure.
3. Enlevez les 2 ou 3 vis retenant le panneau de service en place.
4. Placez le panneau de service sur le plancher.
5. Débranchez l'élément de cuisson et retirez l'assemblé panneau de service.
6. Enlevez les 2 vis et les supports qui retiennent l'élément de cuisson.
7. Remplacez l'élément de cuisson.
8. Fixez les supports à l'aide des 2 vis.
9. Branchez l'élément de cuisson.
10. Insérez le panneau de service dans l'ouverture sous la cavité du four. Assurez-vous que le côté arrière du panneau de service est entré dans l'ouverture et que les fils de l'élément sont insérés correctement en place.
11. Soulevez le panneau de service et fixez-le à l'aide des 2 ou 3 vis.
12. Remplacez la moulure inférieure.



## MÉCANISME DE VERROUILLAGE DE PORTE

L'appareil est équipé d'une commande de four électronique qui possède un loquet de verrouillage de porte. Lorsque le cycle auto nettoyant est programmé, la porte est verrouillée par un système de loquet motorisé. Il n'est pas nécessaire que le four atteigne une température de 520°F pour que la porte se verrouille. Cependant, jusqu'à ce que la température du four atteigne 520°F, le programme d'auto nettoyage peut être annulé et la porte se déverrouillera immédiatement. Lorsque le four a atteint des températures supérieures à 520°F, la porte ne se déverrouille pas avant que la température baisse sous 490°F.

L'interrupteur du moteur verrou de la porte est branché entre P1 et P5 du connecteur P8 sur le panneau du contrôleur analogue.

