



Electric Built-in Cooktop

PRODUCT MODEL NUMBERS

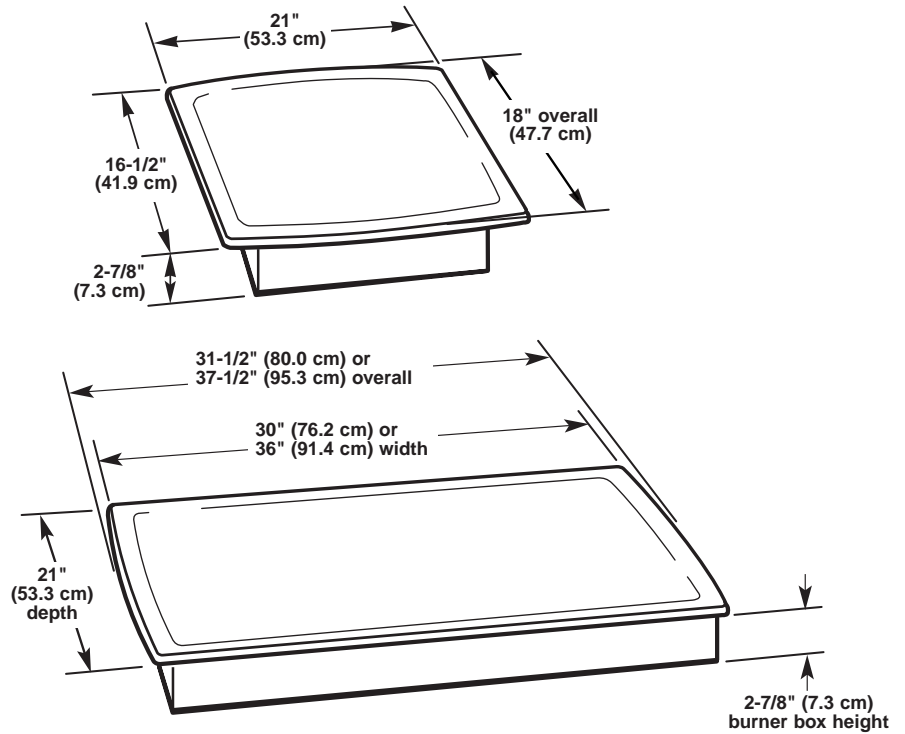
RCS2002L RCS3004L
 RCS2012L RCS3014L
 RCS3614L

Electrical:

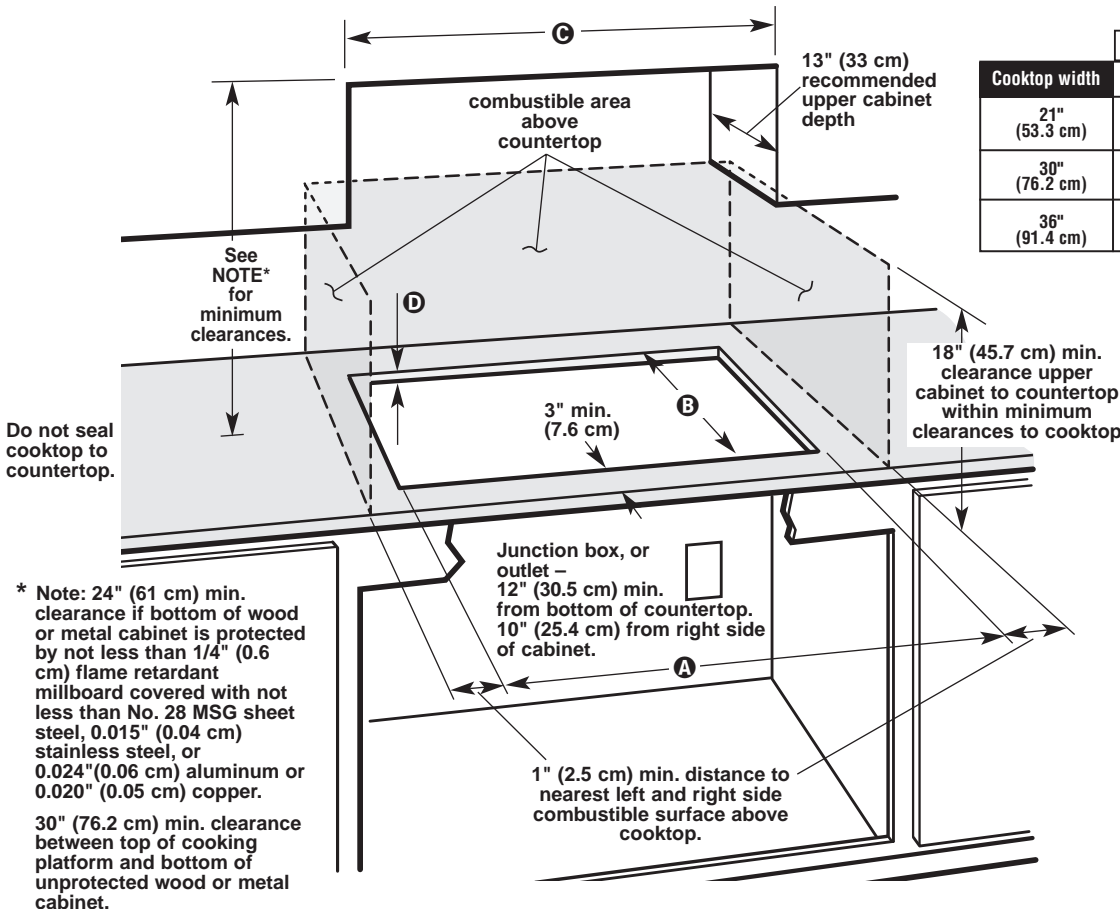
240-volt cooktop: A three-wire or four-wire, single phase, 240-volt, 60-Hz, AC-only electrical supply is required on a separate, 40-ampere circuit (note: the RCS2012 series requires a 20 ampere circuit), fused on both sides of the line. Use copper wire only. A time-delay fuse or circuit breaker is recommended.

120-volt cooktop: 120-volt, 60-Hz, AC-only, 20-amp. electrical supply. Use copper wire only. A time-delay fuse or circuit breaker and separate circuit is recommended.

OVERALL DIMENSIONS



CABINET OPENING DIMENSIONS



Cooktop width	Illustration dimensions			
	A	B	C	D
21" (53.3 cm)	18-5/8" (33.7 cm)	15-1/2" (34.4 cm)	21" (53.3 cm)	1-5/16" (3.4 cm)
30" (76.2 cm)	28-7/8" (73.3 cm)	18-5/8" (47.3 cm)	30" (76.2 cm)	—
36" (91.4 cm)	35" (89 cm)	18-5/8" (47.3 cm)	36" (91.4 cm)	—

Base cabinet:

21" (53.3 cm) cooktop requires a 24" (61 cm) min. base cabinet. 30" (76.2 cm) and 36" (91.4 cm) cooktops require a 30" (76.2 cm) base cabinet.

If cabinet has a drawer, a 4" (10.2 cm) depth clearance from the countertop to the top of the drawer (or other obstruction) in base cabinet is required.

