

ELECTRIC BUILT-IN OVEN INSTALLATION GUIDE

**TO THE INSTALLER: Leave this guide with the oven.
IMPORTANT: Read the Rules for Safe Use in your Use and Care
Manual before using your oven.**

**KEEP THIS
GUIDE
For Future
Reference**

TOOL LIST

The following tools are needed to install your new oven.

1. 1/8" drill bit
2. Electric or hand drill
3. Flat bladed and Phillips screwdrivers
4. Pencil
5. Ruler or tape measure and straight edge
6. Hand saw or sabre saw

LOCATION

Check all local building codes before installing your built-in oven. Installation must always conform to local codes.

You should put the oven near a counter or work table where nothing can block its use, and where it will be lighted with natural light during the day.

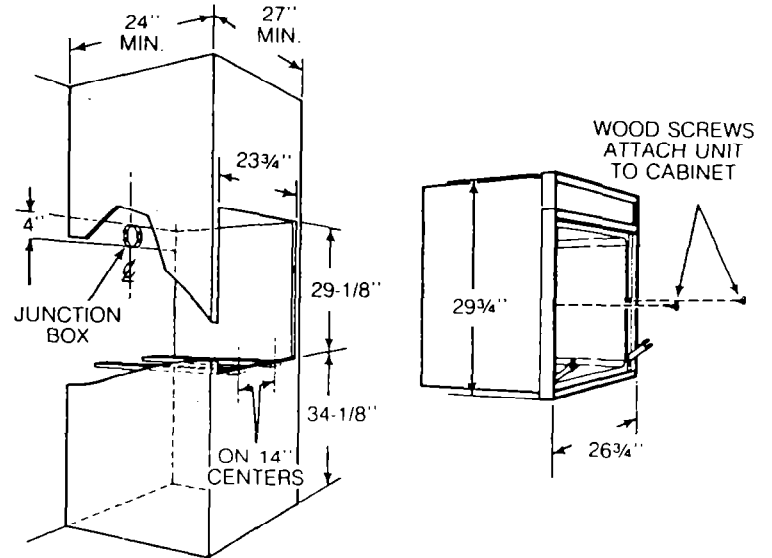
Cabinet space must be provided to enclose the recessed part of your built-in oven. See Figure 1 for all necessary dimensions. A cutout $24\frac{3}{4}$ " wide by $29\frac{1}{8}$ " high must be made in the cabinet front. It is best to make a template to insure accurate cutting.

Place the bottom of the template on a level base line, $34\frac{1}{8}$ " above the floor. This will position the open oven door about 37" above the floor.

It is important that the oven be installed at the minimum height specified. The unit has been tested and approved, in accordance with safety standards, at this height. The vent area may get hot when the oven is in use. Following these installation instructions will move the vent area out of a range, where it would likely be touched by small children.

The oven may be supported by either a solid bottom or two runners, on 14" centers. The solid bottom or two runners should be $34\frac{1}{8}$ " above the floor, the level with the bottom edge of the cutout opening.

Be sure the oven support is solid enough to support 150 pounds. Also, be sure the oven support is level and straight - there is no way to level the oven after installation.



ELECTRICAL REQUIREMENTS

We recommend you have the electrical wiring and hookup of your oven done by a qualified electrician. After installation have the electrician show you where your main oven disconnect is located.

Check with your utilities for electrical codes which apply in your area. Failure to wire your oven according to governing codes could result in a hazardous condition. If there are no local codes, your oven must be wired and fused to meet the requirements of the National Electrical Code, ANSI/NFPA No. 70-1987. You can get a copy by writing:

National Fire Protection Association
Batterymarch Park
Quincy, MA 02269

Before installing the oven or moving it to another location, have your electrician verify that:

- adequate electrical service is available to the home.
- the addition of the oven will not overload the household circuit on which it is to be used.

You must use a three-wire, single-phase A.C. 208Y/120 Volt or 120/240 Volt, 60 Hertz electrical system. **If you connect to aluminum wiring, properly installed connections listed for use with aluminum and copper wiring must be used.**

Use #12 copper wire, protected by a 20 Amp fuse or circuit breaker, for both 208Y/120V and 120/240V electrical systems.

If smaller wire sizes are used, the units' efficiency will be reduced and a fire hazard may exist.

ELECTRICAL CONNECTIONS

The electrical power to the oven supply line must be shut off while line connections are being made. Failure to do so could result in serious injury or death.

Install an approved junction box in the upper 4" of the oven cutout (See Fig. 1).

When making the wire connections, use the entire length of conduit provided (4 feet). **The conduit must not be cut.**

The neutral of the unit is grounded to the frame through the bare ground wire.

INSTALLATION

Your built-in oven is packed with a shipping base pad on the bottom of the unit. This pad protects the lower front trim and should not be removed until you are ready to install the oven.

Before installing the oven, you may remove the oven doors to lessen the weight of the unit if you wish. See your Use and Care Guide for instructions.

Put the oven into the cabinet and use a 1/8" drill bit to drill holes in the cabinet front through the holes in the oven trim. Secure the oven in the cabinet with the screws provided.

See your Use and Care Guide for instructions on installing oven racks and guides.