

---

# TOP-MOUNT REFRIGERATOR

Use & Care Guide

---

# RÉFRIGÉRATEUR SUPERPOSÉ

Guide d'utilisation  
et d'entretien

---

Table of Contents/Table des matières ..... 2

---



**Home Appliances**

# TABLE OF CONTENTS

<b>REFRIGERATOR SAFETY</b> .....	<b>3</b>
<b>PARTS AND FEATURES</b> .....	<b>4</b>
<b>INSTALLING YOUR REFRIGERATOR</b> .....	<b>5</b>
Unpacking Your Refrigerator .....	5
Space Requirements .....	5
Electrical Requirements .....	6
Reversing the Door Swing .....	6
Door Closing and Alignment .....	7
Understanding Sounds You May Hear .....	8
<b>USING YOUR REFRIGERATOR</b> .....	<b>8</b>
Ensuring Proper Air Circulation .....	8
Setting the Controls .....	9
Food Storage Guide .....	9
<b>REFRIGERATOR FEATURES</b> .....	<b>10</b>
Refrigerator Shelves .....	10
Crisper and Crisper Cover .....	11
Ice Maker Operation .....	11
<b>CARING FOR YOUR REFRIGERATOR</b> .....	<b>12</b>
Cleaning Your Refrigerator .....	12
Changing the Light Bulbs .....	12
Power Interruptions .....	13
Vacation and Moving Care .....	13
<b>TROUBLESHOOTING</b> .....	<b>14</b>
<b>REQUESTING ASSISTANCE OR SERVICE</b> .....	<b>17</b>
<b>ROPER® REFRIGERATOR WARRANTY</b> .....	<b>18</b>

# TABLE DES MATIÈRES

<b>SÉCURITÉ DU RÉFRIGÉRATEUR</b> .....	<b>19</b>
<b>PIÈCES ET CARACTÉRISTIQUES</b> .....	<b>20</b>
<b>INSTALLATION DU RÉFRIGÉRATEUR</b> .....	<b>21</b>
Déballage de votre réfrigérateur .....	21
Espace requis .....	21
Spécifications électriques .....	22
Inversion du sens d'ouverture des portes .....	22
Fermeture et alignement des portes .....	23
Les bruits de l'appareil que vous pouvez entendre .....	24
<b>UTILISATION DU RÉFRIGÉRATEUR</b> .....	<b>25</b>
Pour s'assurer d'une circulation d'air appropriée .....	25
Réglage des commandes .....	25
Guide d'entreposage des aliments .....	26
<b>CARACTÉRISTIQUES DU RÉFRIGÉRATEUR</b> .....	<b>27</b>
Tablettes du réfrigérateur .....	27
Bac à légumes et couvercle du bac à légumes .....	28
Utilisation de la machine à glaçons .....	28
<b>ENTRETIEN DE VOTRE RÉFRIGÉRATEUR</b> .....	<b>29</b>
Nettoyage du réfrigérateur .....	29
Remplacement des ampoules d'éclairage .....	30
Pannes de courant .....	30
Entretien avant les vacances ou lors d'un déménagement .....	30
<b>GUIDE DE DÉPANNAGE</b> .....	<b>31</b>
<b>DEMANDE D'ASSISTANCE OU DE SERVICE</b> .....	<b>35</b>
<b>GARANTIE DE RÉFRIGÉRATEUR ROPER®</b> .....	<b>36</b>

# REFRIGERATOR SAFETY

## Your safety and the safety of others is very important.

We have provided many important safety messages in this manual and on your appliance. Always read and obey all safety messages.



This is the safety alert symbol.

This symbol alerts you to hazards that can kill or hurt you and others.

All safety messages will be preceded by the safety alert symbol and the word "DANGER" or "WARNING." These words mean:

**⚠ DANGER**

You **will** be killed or seriously injured if you don't follow instructions.

**⚠ WARNING**

You **can** be killed or seriously injured if you don't follow instructions.

All safety messages will identify the hazard, tell you how to reduce the chance of injury, and tell you what can happen if the instructions are not followed.

## IMPORTANT SAFETY INSTRUCTIONS

**WARNING** – To reduce the risk of fire, electric shock, or injury when using your refrigerator, follow these basic precautions:

- Plug into a grounded 3 prong outlet.
- Do not remove ground prong.
- Do not use an adapter.
- Do not use an extension cord.
- Disconnect power before servicing.
- Replace all panels before operating.
- Remove doors from your old refrigerator.
- Use nonflammable cleaner.
- Keep flammable materials and vapors, such as gasoline, away from refrigerator.
- Use two or more people to move and install refrigerator.
- Disconnect power before installing ice maker.
- Use a sturdy glass when dispensing ice or water (on some models).

— SAVE THESE INSTRUCTIONS —

## Proper Disposal of Your Old Refrigerator

**⚠ WARNING**

### Suffocation Hazard

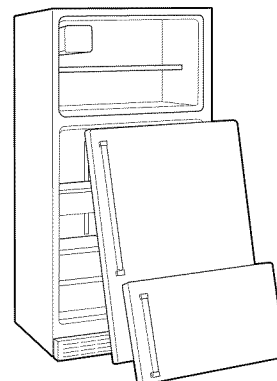
Remove doors from your old refrigerator.

Failure to do so can result in death or brain damage.

**IMPORTANT** – Child entrapment and suffocation are not problems of the past. Junked or abandoned refrigerators are still dangerous – even if they will sit for "just a few days." If you are getting rid of your old refrigerator, please follow the instructions below to help prevent accidents.

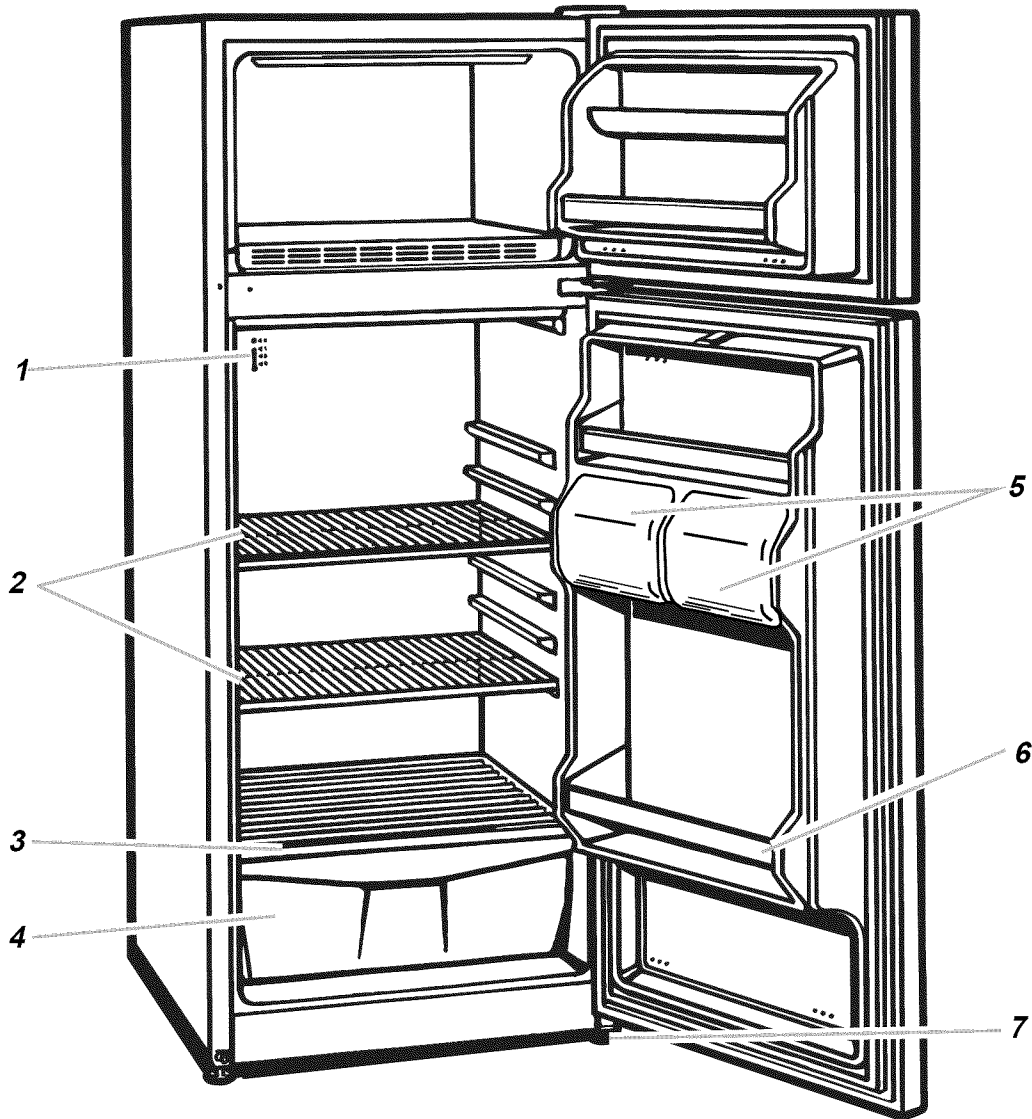
**Before you throw away your old refrigerator or freezer:**

- Take off the doors.
- Leave the shelves in place so that children may not easily climb inside.



# PARTS AND FEATURES

This section contains an illustration of your refrigerator. Use it to become more familiar with the parts and features. The drawings in this book may vary from your refrigerator model.



1. Temperature Control
2. Adjustable Slide-Out Wire Shelves
3. Crisper Cover
4. Crisper
5. Utility Compartments
6. Stationary Door Shelves
7. Leveling Legs

# INSTALLING YOUR REFRIGERATOR

## Unpacking Your Refrigerator

### **⚠ WARNING**

#### **Excessive Weight Hazard**

Use two or more people to move and install refrigerator.

Failure to do so can result in back or other injury.

### Removing Packaging Materials

- Remove tape and any labels from your refrigerator before using (except the model and serial number label).

To remove any remaining tape or glue, rub the area briskly with your thumb. Tape or glue residue can also be easily removed by rubbing a small amount of liquid dish soap over the adhesive with your fingers. Wipe with warm water and dry.

- Do not use sharp instruments, rubbing alcohol, flammable fluids, or abrasive cleaners to remove tape or glue. These products can damage the surface of your refrigerator. For more information, see "Important Safety Instructions" in the "Refrigerator Safety" section.
- On some models, shelves, bins, door shelf rails, and other feature parts may be packaged in the Finishing Touches™ FeaturePak. Follow the instructions contained in the package for proper assembly.

### IMPORTANT:

- Depending on your model, do not remove any permanent instruction labels inside your refrigerator, or the Tech Sheet that is fastened behind the base grille.
- Depending on your model, do not remove the white Styrofoam insert that is located behind the control panel on the ceiling of the refrigerator. The insert is part of the refrigerator and not part of the packing material. If the insert is removed, ice may migrate down from the freezer and cause icicles to form.

## Space Requirements

### **⚠ WARNING**

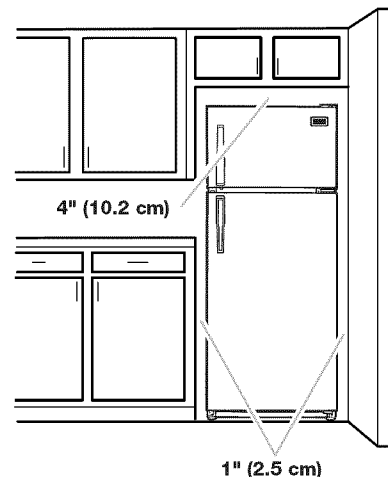


#### **Explosion Hazard**

Keep flammable materials and vapors, such as gasoline, away from refrigerator.

Failure to do so can result in death, explosion, or fire.

- To ensure proper ventilation for your refrigerator, allow for a 1" (2.5 cm) space on each side
- Allow 4" (10.2 cm) of space between overhead cabinets and refrigerator top.
- Allow at least 3" (7.5 cm) between back of cabinet and the wall.



- If your refrigerator has an ice maker, make sure you leave some extra space at the back for the water line connections. The refrigerator can be flush against the back wall if you do not have an ice maker installed.
- If the hinge side of the refrigerator is to be against a wall, you might want to leave extra space so the door can swing open.
- Level the refrigerator (See "Door Closing and Alignment").

**NOTE:** Do not install the refrigerator near an oven, radiator, or other heat source, nor in a location where the temperature will fall below 40° F (5° C).

## Electrical Requirements

### **⚠ WARNING**



#### **Electrical Shock Hazard**

**Plug into a grounded 3 prong outlet.**

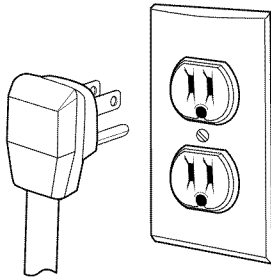
**Do not remove ground prong.**

**Do not use an adapter.**

**Do not use an extension cord.**

**Failure to follow these instructions can result in death, fire, or electrical shock.**

Before you move your refrigerator into its final location, it is important to make sure you have the proper electrical connection:



### **Recommended Grounding Method**

A 115 Volt, 60 Hz., AC only 15 or 20 ampere fused, grounded electrical supply is required. It is recommended that a separate circuit serving only your refrigerator be provided. Use an outlet that cannot be turned off by a switch. Do not use an extension cord.

**NOTE:** Before performing any type of installation, cleaning, or removing a light bulb, turn the Thermostat Control (or Refrigerator Control depending on the model) to OFF and then disconnect the refrigerator from the electrical source. When you are finished, reconnect the refrigerator to the electrical source and reset the Thermostat Control (or Refrigerator Control) to the desired setting.

## Reversing the Door Swing

### **IMPORTANT:**

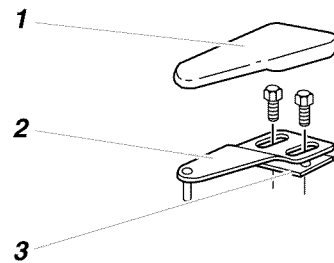
- Door must be supported when the hinges are loosened as the door is not firmly attached to the cabinet.
- Before you begin, turn the refrigerator OFF, unplug it, and remove any food from door shelves.

**SUGGESTION:** Reversing the door swing should be performed by a qualified person.

### **To remove and replace doors:**

1. Remove door handles. See the "To remove and replace handles" section.
2. Remove the top hinge cover by prying up. Remove the top hinge screws and the top hinge. Remove the top door. Remove the plugs from the opposite side and install them in the holes on the original side.

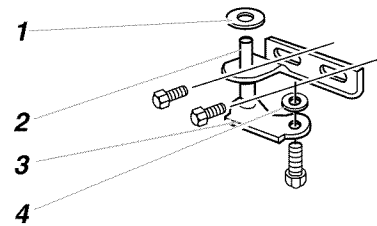
### **Top Hinge**



1. Top Hinge Cover
2. Top Hinge
3. Top Hinge Shim

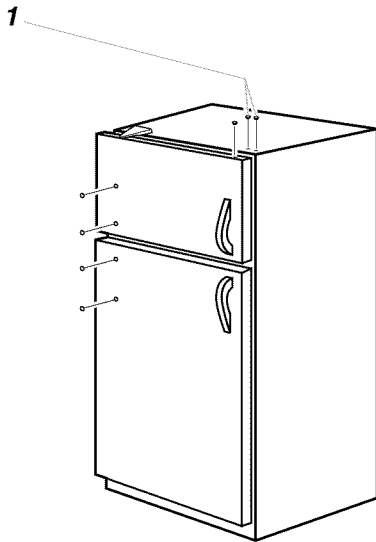
3. Remove the center hinge and reinstall the screws in the same holes. Remove the bottom door.

### **Center Hinge**



1. Plastic Washer
2. Center Hinge
3. Door Stop
4. Fibre Washer

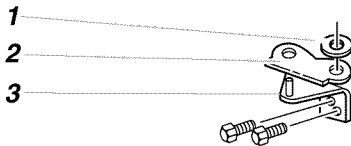
- Remove the plugs from the hinge bushings on the top of the doors and install them in the opposite side. Turn the doors upside down and remove the screw that holds the door stop. Install the door stop with washer on opposite side. Use a screwdriver to line up the holes in the door stop and door while tightening.



1. Hinge Hole Plugs

- Remove the bottom hinge and reinstall the screws. Remove the screws from the opposite side and install hinge with the shims.
- Install the bottom door. Install the center hinge with the plastic washers on the upper side of the hinge. Align the bottom door with the side of the cabinet before tightening.

### Bottom Hinge

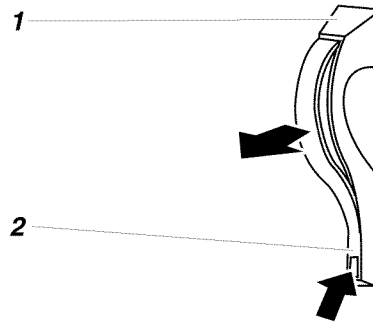


1. Fibre Washer  
2. Door Stop  
3. Bottom Hinge

- Install the top door. Install the top hinge and the hinge shim. Align the top door to give an even distance between the doors before tightening.
- The top and center hinges can be adjusted if the doors do not appear straight. Insure that all screws are tight.
- Install the top hinge cover.
- Replace handles. See the "To remove and replace handles" section.

### To remove and replace handles:

- Push against the end of the handle insert to bow the insert.
- Remove the two mounting screws from each handle.
- Remove the four plugs from the handle holes on the opposite side.
- Install the plugs, screws, handle, and handle inserts on the other side.



1. Handle  
2. Handle Insert

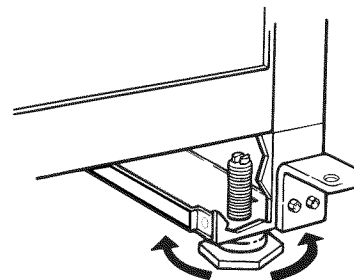
## Door Closing and Alignment

### Door Closing

**NOTE:** Keep the two bolts that secured the refrigerator in the shipping case. They are the front leveling legs.

Your refrigerator has 2 adjustable leveling legs. If your refrigerator seems unsteady or you want the doors to close easier, adjust the refrigerator's tilt using these instructions.

- Screw the legs all the way into the bolt holes in the bottom corners of the refrigerator.
- Plug refrigerator power cord into a 3-prong grounded outlet. Move the refrigerator into it's final position.
- Lower the front legs just enough to lift the cabinet from off the floor.
- Adjust the legs to level the refrigerator:
  - Turn the leveling leg to the right to lower that side of the refrigerator.
  - Turn the leveling leg to the left to raise that side of the refrigerator.
- Check with level.



6. Open and close both doors to make sure they swing properly.

### Door Alignment

If the space between your doors looks uneven, you can adjust it using the instructions below:

1. Pry off the top hinge cover.
2. Loosen the top hinge screws using a  $\frac{5}{16}$ -inch socket or wrench.
3. Have someone hold the door in place or put a spacer between the doors while you tighten the top hinge screws.
4. Replace the top hinge cover.

---

## Understanding Sounds You May Hear

Your new refrigerator may make sounds that your old one didn't make. Because the sounds are new to you, you might be concerned about them. Most of the new sounds are normal. Hard surfaces, like the floor, walls, and cabinets, can make the sounds seem louder than they actually are. The following describes the kinds of sounds and what may be making them.

- If your product is equipped with an ice maker, you will hear a buzzing sound when the water valve opens to fill the ice maker for each cycle.
- The defrost timer will click when the automatic defrost cycle begins and ends. Also, the thermostat refrigerator control, will click when cycling on and off.
- Rattling noises may come from the flow of refrigerant, the water line, or items stored on top of the refrigerator.
- Your refrigerator is designed to run more efficiently to keep your food items at the desired temperature. The high efficiency compressor may cause your new refrigerator to run longer than your old one, and you may hear a pulsating or high-pitched sound.
- Water dripping on the defrost heater during a defrost cycle may cause a sizzling sound.
- You may hear the evaporator fan motor circulating the air through the refrigerator and freezer compartments.
- As each cycle ends, you may hear a gurgling sound due to the refrigerant flowing in your refrigerator.
- Contraction and expansion of the inside walls may cause a popping noise.
- You may hear air being forced over the condenser by the condenser fan.
- You may hear water running into the drain pan during the defrost cycle.

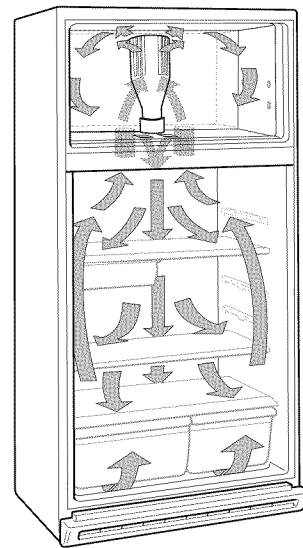
---

# USING YOUR REFRIGERATOR

---

## Ensuring Proper Air Circulation

In order to ensure proper temperatures, you need to permit air flow between the refrigerator and freezer sections. As shown in the illustration, cool air enters through the bottom of the freezer section and moves up. Most of the air then flows through the freezer section vents and recirculates under the freezer floor. The rest of the air enters the refrigerator section through the top vent.



**Do not block any of these vents** with food packages. If the vents are blocked, airflow will be prevented and temperature and moisture problems may occur.

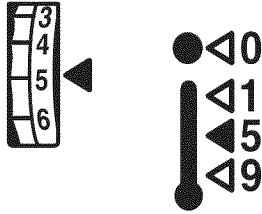
**IMPORTANT:** Because air circulates between both sections, any odors formed in one section will transfer to the other. You must thoroughly clean both sections to eliminate odors. To prevent odor transfer and drying out of food, wrap or cover foods tightly. (See the "Food Storage Guide" section for details.)



---

## Setting the Controls

The Temperature Control is located on the back wall of the refrigerator compartment. It controls the temperature in both the refrigerator and freezer compartments. When you plug in the refrigerator of the first time, set the Temperature Control knob to "5". Temperature Control adjustments range from 1 (warmest) to 9 (coldest).



Give your refrigerator time to cool down completely before adding food. It is best to wait 24 hours before you put food into the refrigerator. The control is set correctly when milk or juice is as cold as you like and ice cream is firm. Move the dial one number at a time, and wait 24 hours between adjustments.

**NOTE:** During high humidity, moisture may form on the outside of the cabinet. To prevent rust, dry the cabinet and reset the Temperature Control to a colder setting.

**IMPORTANT:** If you add food before the refrigerator has cooled completely, your food may spoil. **Turning the Temperature Control to a higher (colder) than recommended setting will not cool the compartments any faster.**

---

## Food Storage Guide

### Storing Fresh Food

Wrap or store food in the refrigerator in airtight and moisture-proof material unless otherwise noted. This prevents food odor and taste transfer throughout the refrigerator. For dated products, check code date to ensure freshness.

---

#### Butter or margarine

Keep opened butter in covered dish or closed compartment. When storing an extra supply, wrap in freezer packaging and freeze.

---

#### Cheese

Store in the original wrapping until you are ready to use it. Once opened, rewrap tightly in plastic wrap or aluminum foil.

---

#### Milk

Wipe milk cartons. For best storage, place milk on interior shelf.

---

#### Eggs

Store in original carton on interior shelf.

---

---

#### Fruit

Wash, let dry, and store in refrigerator in plastic bags or crisper. Do not wash or hull berries until they are ready to use. Sort and keep berries in original container in a crisper, or store in a loosely closed paper bag on a refrigerator shelf.

---

#### Leafy vegetables

Remove store wrapping and trim or tear off bruised and discolored areas. Wash in cold water and drain. Place in plastic bag or plastic container and store in crisper.

---

#### Vegetables with skins (carrots, peppers)

Place in plastic bags or plastic container and store in crisper.

---

#### Fish

Use fresh fish and shellfish the same day as purchased.

---

#### Meat

Store most meat in original wrapping as long as it is airtight and moisture-proof. Rewrap if necessary. See the following chart for storage times. When storing meat longer than the times given, freeze the meat.

Chicken .....	1-2 days
Ground beef .....	1-2 days
Variety meats (liver, heart, etc.) .....	1-2 days
Cold cuts.....	3-5 days
Steaks/roasts .....	3-5 days
Cured meats.....	7-10 days

---

#### Leftovers

Cover leftovers with plastic wrap or aluminum foil. Plastic containers with tight lids can also be used.

---

## Storing Frozen Food

**NOTE:** For further information about preparing food for freezing or food storage times, check a freezer guide or reliable cookbook.

### Packaging

Successful freezing depends on the correct packaging. When you close and seal the package you must not allow air or moisture in or out. If you do, you could have food odor and taste transfer throughout the refrigerator, and also dry out frozen food.

#### Packaging recommendations:

- Rigid plastic containers with tight-fitting lids
- Straight-sided canning/freezing jars
- Heavy-duty aluminum foil
- Plastic-coated paper
- Non-permeable plastic wraps (made from saran film)
- Specified freezer self-sealing plastic bags

Follow package or container instructions for proper freezing methods.

#### Do not use:

- Bread wrappers
- Non-polyethylene plastic containers
- Containers without tight lids
- Wax paper or wax-coated freezer wrap
- Thin, semi-permeable wrap

## Freezing

Your freezer will not quick-freeze any large quantity of food. Put no more unfrozen food into the freezer than will freeze within 24 hours (no more than 2 to 3 lbs of food per cubic foot [907-1,350 g per liter] of freezer space). Leave enough space in the freezer for air to circulate around packages. Be careful to leave enough room at the front so the door can close tightly.

Storage times will vary according to the quality and type of food, the type of packaging or wrap used, (airtight and moisture-proof), and the storage temperature. Ice crystals inside a sealed package are normal. This simply means that moisture in the food and air inside the package have condensed, creating ice crystals.

**NOTE:** Allow hot foods to cool at room temperature for 30 minutes, then package and freeze. Cooling hot foods before freezing saves energy.

---

# REFRIGERATOR FEATURES

---

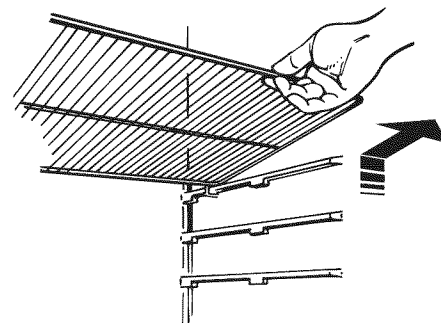
## Refrigerator Shelves

The shelves in your refrigerator are adjustable to match your individual storage needs.

Storing similar food items together in your refrigerator and adjusting the shelves to fit different heights of items will make finding the exact item you want easier. It will also reduce the amount of time the refrigerator door is open, and save energy.

#### To remove a shelf:

1. Remove all items from the shelf.
2. Slide shelf straight out to the stop.
3. Lift the front.
4. Slide shelf out the rest of the way.



#### To replace a shelf:

1. Fit back of shelf on top of guide.
2. Lift the front of the shelf.
3. Slide shelf straight in.

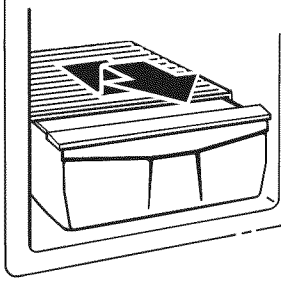
---

## Crisper and Crisper Cover

### To remove the crisper:

1. Slide crisper straight out to the stop.
2. Lift the front.
3. Slide crisper out the rest of the way.

**Replace the crisper by sliding it back in fully past the drawer stop.**



### To remove the crisper cover:

1. Lift cover up and slide out.
2. Replace cover by fitting back of cover against back wall of cabinet. Then lower front into place.

---

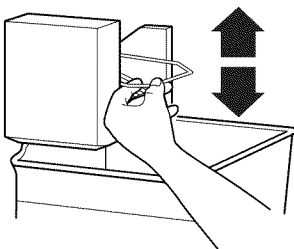
## Ice Maker Operation (on some models)

After the freezer section reaches normal freezer temperature, the ice maker fills with water and begins forming ice. Allow 24 hours to produce the first batch of ice. Ice maker should then produce approximately 7 to 9 batches of ice in a 24 hour-period. Discard the first three batches of ice produced to avoid impurities that may be flushed out of the system.

After ice is made, the ice cubes drop into the storage bin. When ice storage bin is full, ice maker arm raises to the "OFF" position (arm up). If ice is not needed, you can stop the ice maker by raising the arm to the "OFF" position (arm up). Listen for a click sound to be sure that the ice maker will not continue to operate.

To start ice maker, lower arm to the "ON" position (arm down). Do not force arm up or down. Do not store anything on top of the ice maker or in the ice storage bin.

- The ON/OFF lever for the ice maker is a wire signal arm located on the side of the ice maker. Push the arm down to start making ice automatically, and push it up to shut off the ice maker.



- It is normal for the ice cubes to be attached at the corners. They will break apart easily.
- The ice maker will not operate until the freezer is cold enough to make ice. This can take as long as overnight.
- If ice is not being made fast enough and more ice is needed, turn the Temperature Control toward a higher (colder) number in half number steps. (For example, if the control is at 3, move it to between 3 and 4.) Wait 24 hours and, if necessary, gradually turn the Temperature Control to the highest setting, waiting 24 hours between each increase.

### REMEMBER:

- The quality of your ice will be only as good as the quality of the water supplied to your ice maker.
- Avoid connecting the ice maker to a softened water supply. Water softener chemicals (such as salt) can damage parts of the ice maker and lead to poor quality ice. If a softened water supply cannot be avoided, make sure the water softener is operating properly and is well maintained.

# CARING FOR YOUR REFRIGERATOR

## Cleaning Your Refrigerator

### **WARNING**



#### **Explosion Hazard**

**Use nonflammable cleaner.**

**Failure to do so can result in death, explosion, or fire.**

Both the refrigerator and freezer sections defrost automatically. However, clean both sections about once a month to prevent odors from building up. Wipe up spills immediately.

#### **Energy Saving Tip:**

Clean the condenser coils regularly, as described in the cleaning chart in this section. A coil cleaning brush is available for purchase. Call 616-923-7113 and ask for Part Number 4210463.

#### **To clean your refrigerator:**

- Unplug refrigerator or disconnect power.
- Remove all removable parts from inside, such as shelves, crispers, etc.
- Use a clean sponge or soft cloth and a mild detergent in warm water. Do not use abrasive or harsh cleaners.
- Hand wash, rinse, and dry all surfaces thoroughly.
- Plug in refrigerator or reconnect power.

#### ■ Additional cleaning tips are listed below:

<b>PART</b>	<b>COMMENTS</b>
<b>Outside</b>	■ Waxing external painted metal surfaces helps provide rust protection. Do not wax plastic parts. Wax painted metal surfaces at least twice a year using appliance wax (or auto paste wax). Apply wax with a clean, soft cloth.
<b>Inside walls</b> (allow freezer to warm up so cloth won't stick)	■ To help remove odors, you can wash with a mixture of warm water and baking soda (2 tbs to 1 qt [26 g to .95 L] of water).
<b>Door liners and gaskets</b>	■ Do not use cleaning waxes, concentrated detergents, bleaches, or cleaners containing petroleum on plastic parts.
<b>Plastic parts</b> (covers and panels)	■ Do not use paper towels, window sprays, scouring cleansers or flammable fluids. These can scratch or damage material.

## Changing the Light Bulbs

**NOTE:** Not all appliance bulbs will fit your refrigerator. Be sure to replace the bulb with one of the same size, shape, and wattage.

#### **To change the refrigerator light:**

1. Unplug refrigerator or disconnect power.
2. Replace the bulb with an appliance bulb of the same wattage.
3. Plug in refrigerator or reconnect power.

---

## Power Interruptions

If the electricity in your house goes off, call the power company and ask how long it will be off.

1. If the power will be out for **24 hours or less, keep both refrigerator doors closed** to help foods stay cold and frozen.
2. If the power will be out for **more than 24 hours:**
  - a) Remove all frozen food and store it in a frozen food locker.

**OR**

- b) Place 2 lb. (907 g) of dry ice in the freezer for every cubic foot (28 liters) of freezer space. This will keep the food frozen for two to four days. While handling dry ice, wear gloves to protect your hands from ice burns.

**OR**

- c) If neither a food locker nor dry ice is available, consume up or can perishable food at once.

**REMEMBER:** A full freezer stays cold longer than a partially filled one. A freezer full of meat stays cold longer than a freezer full of baked goods. If you see that food contains ice crystals, it may be safely refrozen, although the quality and flavor may be affected. If the condition of the food is poor, or if you feel it is unsafe, dispose of it.

---

## Vacation and Moving Care

### Vacations

**If you choose to leave the refrigerator on while you're away,** use these steps to prepare your refrigerator before you leave.

1. Use up any perishables and freeze other items.
2. If your refrigerator has an automatic ice maker:
  - Raise ice maker arm to OFF (up) position.
  - Shut off water supply to the ice maker.
3. Empty the ice bin.

**If you choose to turn the refrigerator off before you leave,** follow these steps.

1. Remove all food from the refrigerator.
2. If your refrigerator has an automatic ice maker:
  - Turn off the water supply to the ice maker at least one day ahead of time.
  - When the last load of ice drops, raise the ice maker arm to the OFF (up) position.
3. Depending on your model, turn the Thermostat Control (or Refrigerator Control, depending on the model) to OFF. See the "Setting the Controls" section.
4. Clean refrigerator, wipe it, and dry well.

5. Tape rubber or wood blocks to the tops of both doors to prop them open far enough for air to get in. This stops odor and mold from building up.

### Moving

When you are moving your refrigerator to a new home, follow these steps to prepare it for the move.

1. If your refrigerator has an automatic ice maker:
  - Turn off the water supply to the ice maker at least one day ahead of time.
  - Disconnect the water line from the back of the refrigerator.
  - When the last load of ice drops, raise the ice maker arm to the OFF (up) position.
2. Remove all food from the refrigerator and pack all frozen food in dry ice.
3. Depending on your model, turn the Thermostat Control (or Refrigerator Control, depending on the model) to OFF. See the "Setting the Controls" section.
4. Unplug the refrigerator.
5. Empty water from the defrost pan.
6. Clean, wipe, and dry thoroughly.
7. Take out all removable parts, wrap them well, and tape them together so they don't shift and rattle during the move.
8. Depending on the model, raise the front of the refrigerator so it rolls easier OR screw in the leveling legs so they don't scrape the floor. See the "Door Closing and Alignment" section.
9. Tape the doors shut and the power cord to the refrigerator cabinet.

When you get to your new home, put everything back and refer to the "Installing Your Refrigerator" section for preparation instructions. Also, if your refrigerator has an automatic ice maker, remember to reconnect the water supply to the refrigerator.

---

# TROUBLESHOOTING

---

Try the solutions suggested here first in order to possibly avoid the cost of a service call.

---

## Your refrigerator will not operate

---

- **The power supply cord is unplugged.**  
Firmly plug the cord into a live outlet with proper voltage.
  - **A household fuse or circuit breaker has tripped.**  
Replace the fuse or reset the circuit.
  - **The temperature control is turned to the “OFF” position.**  
Refer to the “Setting the Controls” section.
  - **The refrigerator is defrosting.**  
Recheck to see if the refrigerator is operating in 30 minutes. Your refrigerator will regularly run an automatic defrost cycle.
- 

## The lights do not work

---

- **The power supply cord is unplugged.**  
Firmly plug the cord into a live outlet with proper voltage.
  - **A light bulb is loose in the socket.**  
Turn the temperature control to OFF. Disconnect the refrigerator from the electrical supply. Gently remove the bulb and reinsert. Then reconnect the refrigerator to the electrical supply and reset the refrigerator control.
  - **A light bulb has burned out.**  
Replace with an appliance bulb of the same wattage, size, and shape. See the “Changing the Light Bulbs” section.
- 

## There is water in the defrost drain pan

---

- **The refrigerator is defrosting.**  
The water will evaporate. It is normal for water to drip into the defrost pan.
  - **It is more humid than normal.**  
Expect that the water in the defrost pan will take longer to evaporate. This is normal when it is hot or humid.
- 

## The motor seems to run too much

---

- **The room temperature is hotter than normal.**  
Expect the motor to run longer under warm conditions. At normal room temperatures, expect your motor to run about 40% to 80% of the time. Under warmer conditions, expect it to run even more of the time.
  - **A large amount of food has just been added to the refrigerator.**  
Adding a large amount of food warms the refrigerator. It is normal for the motor to run longer in order to cool the refrigerator back down. See the “Food Storage Guide” section.
- 

- **The doors are opened often.**  
Expect the motor to run longer when this occurs. In order to conserve energy, try to get everything you need out of the refrigerator at once, keep food organized so it is easy to find, and close the door as soon as the food is removed.
  - **The controls are not set correctly for the surrounding conditions.**  
Refer to the “Setting the Controls” section.
  - **The doors are not closed completely.**  
Push the doors firmly shut. If they will not shut all the way, see “The doors will not close completely” later in this section.
  - **The condenser coils are dirty.**  
This prevents air transfer and makes the motor work harder. Clean the condenser coils. Refer to the “Cleaning Your Refrigerator” section.
- NOTE:** Your new refrigerator will run longer than your old one due to its high efficiency motor.
- 

## The refrigerator seems to make too much noise

---

- **The sounds may be normal for your refrigerators.**  
Refer to the “Understanding Sounds You May Hear” section.
- 

## The ice maker is not producing ice

---

- **The freezer temperature is not cold enough to produce ice.**  
Wait 24 hours after hook-up for ice production. See the “Setting the Controls” section.
  - **The ice maker arm is in the “OFF” (arm up) position.**  
Lower arm to the “ON” (arm down) position. See the “Ice Maker Operation” section.
  - **The water line shut-off valve to the refrigerator is not turned on.**  
Turn on the water valve. See the “Installing the Ice Maker” sheet in your installation instructions.
  - **An ice cube is jammed in the ejector arm.**  
Remove the ice from the ejector arm with a plastic utensil. Refer to the “Ice Maker Operation” section.
  - **The ice maker mold has no water in it or no ice has been produced.**  
Check to see if your refrigerator has been connected to your home water supply and the supply shut-off valve is turned on. Refer to the “Installing the Ice Maker” sheet in your installation instructions.
- 

**NOTE:** If not due to any of the above, there may be a problem with the water line. Call for service.

---

## The ice maker is producing too little ice

---

- **The ice maker has just been installed.**  
Wait 72 hours for full ice production to begin. Once your refrigerator is cooled down, the ice maker should begin producing 70-120 cubes every 24 hours.
- **A large amount of ice has just been removed.**  
Allow 24 hours for ice maker to produce more ice.
- **The controls are not set correctly.**  
Refer to the “Setting the Controls” section.
- **The water shut-off valve is not turned completely on.**  
Turn valve on fully. Refer to the “Installing the Ice Maker” sheet in your installation instructions.
- **There is a water filter installed on the refrigerator. This filter may be clogged or installed incorrectly.**  
First, check the filter installation instructions to ensure that the filter was installed correctly and is not clogged. If installation or clogging is not a problem, call a qualified person or a technician.

---

## Off-taste or odor in the ice

---

- **The plumbing connections are new, causing discolored or off-flavored ice.**  
Discard the first few batches of ice.
- **The ice cubes have been stored for too long.**  
Throw old ice away and make a new supply.
- **Food in the refrigerator has not been wrapped properly.**  
Refer to “Storing frozen food” in the “Food Storage Guide” section.
- **Freezer and ice bin need to be cleaned.**  
See the “Cleaning Your Refrigerator” section.
- **Water contains minerals (such as sulfur).**  
A filter may need to be installed to remove the minerals.

---

## The divider between the two compartments is warm

---

The warmth is probably due to normal operation of the automatic exterior moisture control.

---

## Temperature is too warm

---

- **The air vents are blocked in either compartment. This prevents the movement of cold air from the freezer to the refrigerator.**  
Remove any objects from in front of the air vents. Refer to “Ensuring Proper Air Circulation” for the location of air vents.
- **The door(s) are opened often.**  
Be aware that the refrigerator will warm when this occurs. In order to keep the refrigerator cool, try to get everything you need out of the refrigerator at once, keep food organized so it is easy to find, and close the door as soon as the food is removed.
- **A large amount of food has just been added to the refrigerator or freezer.**  
Adding a large amount of food warms the refrigerator. It can take several hours for the refrigerator to return to the normal temperature.
- **The controls are not set correctly for the surrounding conditions.**  
Refer to the “Setting the Controls” section.

---

## There is interior moisture build-up

---

- **The air vents are blocked in the refrigerator.**  
Remove any objects from in front of the air vents. Refer to “Ensuring Proper Air Circulation” for the location of air vents.
- **The door is opened often.**  
To avoid humidity build-up, try to get everything you need out of the refrigerator at once, keep food organized so it is easy to find, and close the door as soon as the food is removed. (When the door is opened, humidity from the room air enters the refrigerator. The more often the door is opened, the faster humidity builds up, especially when the room itself is very humid.)
- **The room is humid.**  
It is normal for moisture to build up inside the refrigerator when the room air is humid.
- **The food is not packaged correctly.**  
Check that all food is securely wrapped. If necessary, repackage food according to the guidelines in the “Food Storage Guide” section. Wipe off damp food containers before placing in the refrigerator.
- **The controls are not set correctly for the surrounding conditions.**  
Refer to the “Setting the Controls” section.
- **A self-defrost cycle was completed.**  
It is normal for droplets to form on the back wall after the refrigerator self-defrosts.

---

## The doors are difficult to open

---

- **The gaskets are dirty or sticky.**  
Clean gaskets and the surface that they touch. Rub a thin coat of paraffin wax on the gaskets following cleaning.

---

## The doors will not close completely

---

- **Food packages are blocking the door open.**  
Rearrange containers so that they fit more tightly and take up less space.
- **The ice bin is out of position.**  
Push the ice bin in all the way.
- **The crisper cover, pans, shelves, bins, or baskets are out of position.**  
Put the crisper cover and all pans, shelves, bins, and baskets back into their correct position. See the “Refrigerator Features” section for more information.
- **The gaskets are sticking.**  
Clean gaskets and the surface that they touch. Rub a thin coat of paraffin wax on the gaskets following cleaning.
- **The refrigerator wobbles or seems unstable.**  
Level the refrigerator. Refer to the “Door Closing and Alignment” section.
- **The doors were removed during product installation and not properly replaced.**  
Remove and replace the doors according to the “Reversing the Door Swing” section, or call a qualified service technician.



---

# REQUESTING ASSISTANCE OR SERVICE

Before calling for assistance or service, please check the “Troubleshooting” section. It may save you the cost of a service call. If you still need help, follow the instructions below.

## FOR ASSISTANCE OR SERVICE IN THE U.S.A.:

### 1. If the problem is not due to one of the items listed in the “Troubleshooting” section...

**Call the Roper Consumer Assistance Center at 1-616-923-7113. Our consultants are available to assist you.**

When calling, please know the purchase date and the complete model and serial number of your appliance (see the “Warranty” section). This information will help us better respond to your request..

#### **Our consultants provide assistance with:**

- Features and specifications on our full line of appliances
- Installation information
- Use and maintenance procedures
- Accessory and repair parts sales
- Specialized customer assistance (Spanish speaking, hearing impaired, limited vision, etc.)
- Referrals to local dealers, service companies, and repair parts distributors

**Roper designated service technicians** are trained to fulfill the product warranty and provide after-warranty service, anywhere in the United States.

To locate the designated Roper service company in your area, you can also look in your telephone directory Yellow Pages.

### 2. If you need replacement parts...

If you need to order replacement parts, we recommend that you only use FSP® factory authorized parts. FSP replacement parts will fit right and work right, because they are made to the same exacting specifications used to build every new Roper appliance.

To locate FSP replacement parts in your area, call our Consumer Assistance Center telephone number or your nearest designated service center.

### 3. For further assistance...

If you need further assistance, you can write to Whirlpool with any questions or concerns at:

Whirlpool Brand Home Appliances  
Consumer Assistance Center  
c/o Correspondence Dept.  
2000 North M-63  
Benton Harbor, MI 49022-2692

Please include a daytime phone number in your correspondence.

## FOR ASSISTANCE OR SERVICE IN CANADA

### 1. If the problem is not due to one of the items listed in the “Troubleshooting” section\*...

**Contact the dealer from whom you purchased your appliance, or call the Inglis Limited Consumer Assistance Centre toll free, 8:30 a.m. – 6 p.m. (EST), at 1-800-461-5681.**

If you prefer, write to:

Consumer Relations Department  
Inglis Limited  
1901 Minnesota Court  
Mississauga, Ontario L5N 3A7

Please include a daytime phone number in your correspondence.

### 2. If you need service\* ...

Contact Inglis Limited Appliance Service from anywhere in Canada at **1-800-807-6777**.

#### **\*When asking for help or service:**

Please provide a detailed description of the problem, your appliance’s complete model and serial numbers, and the purchase date. (See “Warranty” section.) This information will help us respond properly to your request.

---

# ROPER® REFRIGERATOR WARRANTY

---

## FULL ONE-YEAR WARRANTY (from date of purchase)

FSP® replacement parts and repair labor to correct defects in materials or workmanship. Service must be provided by a Roper Home Appliance designated service company.

---

## FULL FIVE-YEAR WARRANTY (from date of purchase)

FSP replacement parts and repair labor for the sealed refrigeration system (compressor, evaporator, condenser, drier, or connecting tubing) which we find to be defective in materials or workmanship. Service must be provided by a Roper Home Appliance designated service company.

---

### We will not pay for:

#### A. Service calls to:

1. Correct the installation of your refrigerator.
2. Instruct you how to use your refrigerator.
3. Replace house fuses or correct house wiring or plumbing.
4. Replace light bulbs.

#### B. Repairs when your refrigerator is used in other than normal, single-family household use.

#### C. Pickup and delivery. Your refrigerator is designed to be repaired in the home.

#### D. Damage to your refrigerator caused by accident, misuse, fire, flood, acts of God, or use of products not approved by Roper.

#### E. Any food loss due to product failure.

#### F. Repairs to parts and systems resulting from by unauthorized modifications made to this appliance.

11/98

---

This Roper appliance is warranted by Whirlpool Corporation. Under no circumstances shall it be liable under this warranty for incidental or consequential damages, and all implied warranties are limited to the same time period as stated in the express warranties for Roper Brand Appliances. Some states or provinces do not allow the exclusion or limitation of incidental or consequential damages, or limitation of implied warranties, so this exclusion or limitation may not apply to you.

This warranty gives you specific legal rights, and you may also have other rights which vary from state to state or province to province.

Outside the United States and Canada, a different warranty may apply. For details, please contact your authorized Roper Home Appliance distributor or military exchange..

If you need service, first see the "Troubleshooting" section of this book. After checking "Troubleshooting," additional help can be found by checking the "Requesting Assistance or Service" section or by calling 1-616-923-7113.

---

**Keep this book and your sales slip together for future reference. You must provide proof of purchase or installation date for in-warranty service.**

Write down the following information about your refrigerator to better help you obtain assistance or service if you ever need it. You will need to know your complete model number and serial number. You can find this information on the model and serial number label, located on your appliance as shown in the Parts and Features section of this book.

Dealer name \_\_\_\_\_

Address \_\_\_\_\_

Phone number \_\_\_\_\_

Model number \_\_\_\_\_

Serial number \_\_\_\_\_

Purchase date \_\_\_\_\_

---

# SÉCURITÉ DU RÉFRIGÉRATEUR

## Votre sécurité et celle des autres est très importante.

Nous donnons de nombreux messages de sécurité importants dans ce manuel et sur votre appareil ménager. Assurez-vous de toujours lire tous les messages de sécurité et de vous y conformer.



Voici le symbole d'alerte de sécurité.

Ce symbole d'alerte de sécurité vous signale les dangers susceptibles de causer le décès et des blessures graves à vous et à d'autres.

Tous les messages de sécurité seront précédés du symbole d'alerte de sécurité et du mot "DANGER" ou "AVERTISSEMENT". Ces mots signifient :

**⚠ DANGER**

Risque certain de décès ou de blessure grave si vous ne suivez pas les instructions.

**⚠ AVERTISSEMENT**

Risque possible de décès ou de blessure grave si vous ne suivez pas les instructions.

Tous les messages de sécurité identifient le danger et vous disent comment réduire le risque de blessure et ce qui peut se produire en cas de non-respect des instructions.

## IMPORTANTES INSTRUCTIONS DE SÉCURITÉ

**AVERTISSEMENT** : Pour réduire les risques d'incendie, de choc électrique ou des blessures lors de l'utilisation du réfrigérateur, prendre quelques précautions fondamentales, y compris les suivantes:

- Brancher l'appareil sur une prise à 3 alvéoles reliée à la terre.
- Ne pas enlever la broche de liaison à la terre.
- Ne pas utiliser un adaptateur.
- Ne pas utiliser un câble de rallonge.
- Débrancher la source de courant électrique avant l'entretien.
- Replacer tous les panneaux avant de faire la remise en marche.
- Enlever les portes de votre vieux réfrigérateur.
- Utiliser un produit de nettoyage ininflammable.
- Garder les matériaux et les vapeurs inflammables, telle que l'essence, loin du réfrigérateur.
- Deux personnes ou plus doivent déplacer et installer le réfrigérateur.
- Débrancher le réfrigérateur avant l'installation de la machine à glaçons.
- Utiliser un verre robuste pour prendre des glaçons ou de l'eau (sur certains modèles).

— CONSERVER CES INSTRUCTIONS —

## Mise au rebut de votre vieux réfrigérateur

**⚠ AVERTISSEMENT**

Risque de suffoquer

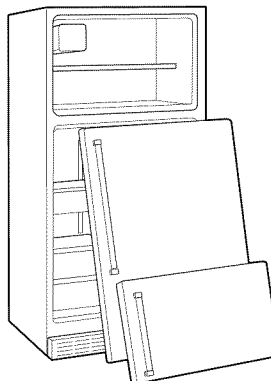
Enlever les portes de votre vieux réfrigérateur.

Le non-respect de cette instruction peut causer un décès ou des lésions cérébrales.

**IMPORTANT** – L'emprisonnement et l'étouffement des enfants ne sont pas un problème du passé. Les réfrigérateurs jetés ou abandonnés sont encore dangereux, même s'ils sont laissés abandonnés pendant "quelques jours seulement". Si vous vous débarrassez de votre vieux réfrigérateur, veuillez suivre les instructions suivantes pour aider à éviter les accidents.

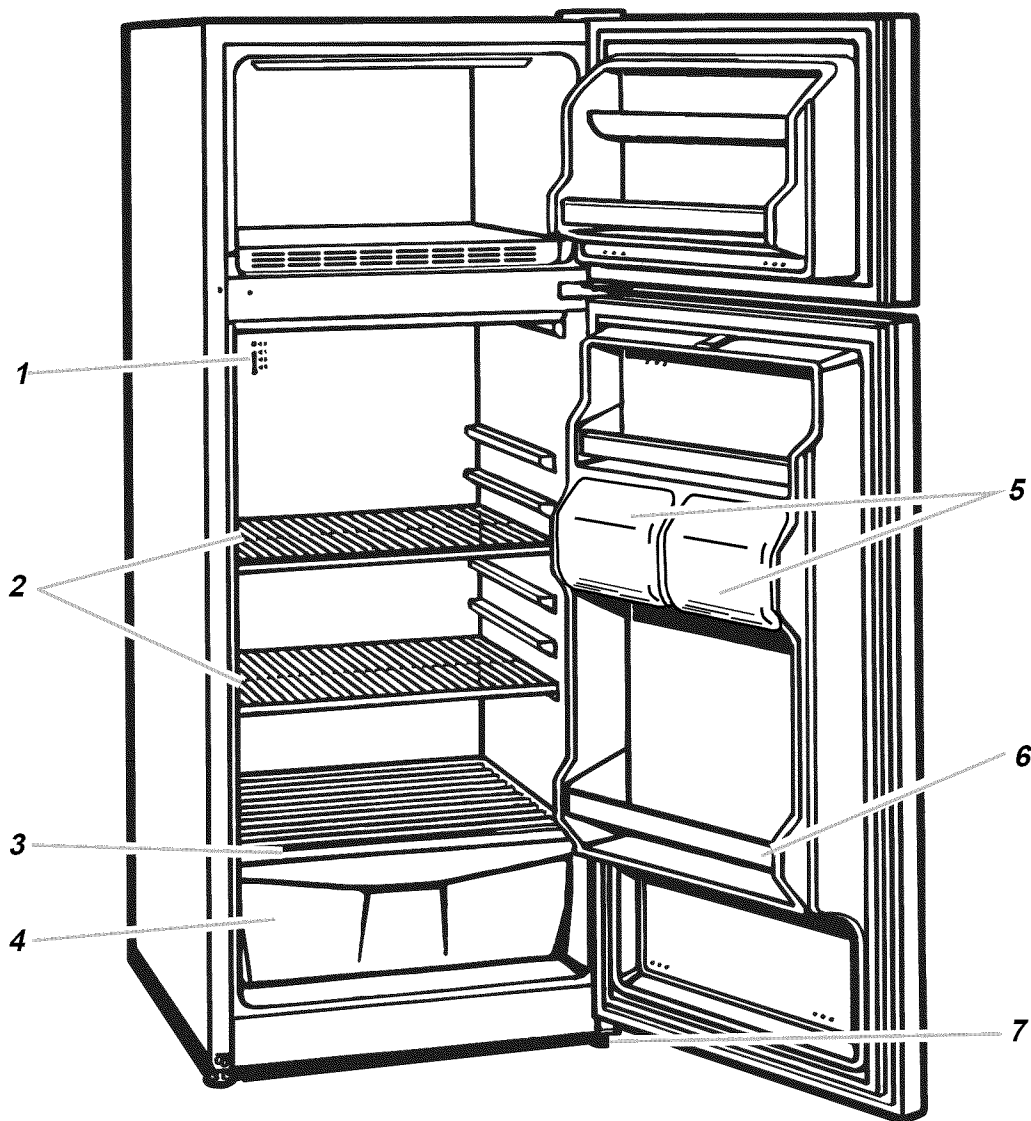
## Avant de jeter votre vieux réfrigérateur ou congélateur :

- Enlever les portes.
- Laisser les tablettes en place de sorte que les enfants ne peuvent pas y pénétrer facilement.



# PIÈCES ET CARACTÉRISTIQUES

Cette section contient une illustration du réfrigérateur. Servez-vous de cette illustration pour mieux connaître les pièces et les caractéristiques. Les dessins dans ce manuel peuvent varier du modèle de votre réfrigérateur.



1. Réglage de la température
2. Clayettes réglables amovibles
3. Couverture du bac à légumes
4. Bac à légumes
5. Balconnet utilitaires
6. Tablettes stationnaires dans la porte
7. Pieds de nivellement

# INSTALLATION DU RÉFRIGÉRATEUR

## Déballage de votre réfrigérateur

### ⚠ AVERTISSEMENT

#### Risque du poids excessif

Utiliser deux ou plus de personnes pour déplacer et installer le réfrigérateur.

Le non-respect de cette instruction peut causer une blessure au dos ou d'autre blessure.

### Enlèvement des matériaux d'emballage

- Enlever le ruban adhésif et toutes les étiquettes de votre réfrigérateur avant de l'utiliser (excepté l'étiquette des numéros de modèle et de série).

Pour enlever ce qui reste du ruban adhésif ou de la colle, frotter la surface vivement avec le pouce. La colle ou l'adhésif qui reste peut être facilement enlevé par frottement avec les doigts et une petite quantité de savon liquide pour la vaisselle sur l'adhésif. Rincer à l'eau tiède et essuyer.

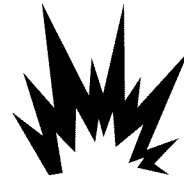
- Ne pas utiliser d'instruments coupants, d'alcool à friction, de liquides inflammables ou de nettoyants abrasifs pour enlever le ruban adhésif ou la colle. Ces produits peuvent endommager la surface de votre réfrigérateur. Voir "Importantes instructions de sécurité" pour plus de renseignements, à la section "Sécurité du réfrigérateur".
- Sur certains modèles, des tablettes, bacs, glissières de tablettes dans la porte et autres pièces peuvent être emballés dans des sacs spéciaux de finition FeaturePak. Suivre les instructions contenues dans l'emballage pour le montage approprié.

### IMPORTANT :

- Selon le modèle que vous avez, ne pas enlever les étiquettes permanentes d'instruction à l'intérieur du réfrigérateur, ou la fiche technique fixée à la base de la grille.
- Selon le modèle que vous avez, ne pas enlever l'encart en mousse Styrofoam blanc situé derrière le panneau de réglage au plafond du réfrigérateur. L'encart fait partie du réfrigérateur et n'est pas un matériau d'emballage. Si l'encart est enlevé, de la glace peut se former en provenance du congélateur et causer la formation de glaçons.

## Espacement requis

### ⚠ AVERTISSEMENT

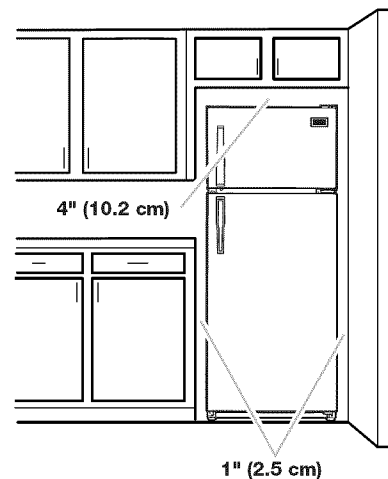


#### Risque d'explosion

Garder les matériaux et les vapeurs inflammables, telle que l'essence, loin du réfrigérateur.

Le non-respect de cette instruction peut causer un décès, une explosion ou un incendie.

- Pour assurer une aération appropriée pour votre réfrigérateur, laisser un espace de 1 po (2,5 cm) chaque côté
- Laisser un espace de 4 po (10,2 cm) entre les armoires au-dessus de l'appareil et le sommet du réfrigérateur.
- Laisser au moins 3 po (7,5 cm) entre l'arrière de la caisse et le mur arrière.



- Si votre réfrigérateur comporte une machine à glaçons, s'assurer qu'un espace additionnel est prévu à l'arrière pour permettre les connexions des conduits d'eau. Le réfrigérateur peut être près du mur arrière si vous ne faites pas installer une machine à glaçons.
- Si le côté des charnières du réfrigérateur doit être contre le mur, vous voudrez peut-être laisser un espace additionnel pour permettre à la porte de s'ouvrir sans obstruction.
- Placer le réfrigérateur à niveau. (Voir "Instructions de nivellement").

**REMARQUE :** Ne pas installer le réfrigérateur près d'un four, d'un radiateur ou d'une autre source de chaleur ni dans un endroit où la température baissera au-dessous de 13°C (55°F).

## Spécifications électriques

### **⚠ AVERTISSEMENT**



#### Risque de choc électrique

Brancher sur une prise à 3 alvéoles reliée à la terre.

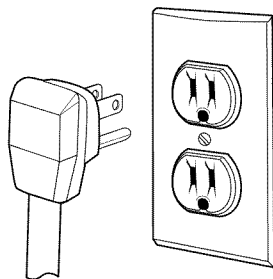
Ne pas enlever la broche de liaison à la terre.

Ne pas utiliser un adaptateur.

Ne pas utiliser un câble de rallonge.

Le non-respect de ces instructions peut causer un décès, un incendie ou un choc électrique.

Avant de placer le réfrigérateur à son emplacement final, il est important de vous assurer d'avoir la connexion électrique appropriée :



#### Méthode recommandée de mise à la terre

Une source d'alimentation de 115 volts, 60 Hz, type 15 ou 20 ampères CA seulement, protégée par fusibles et adéquatement mise à la terre est nécessaire. Il est recommandé d'utiliser un circuit distinct pour alimenter uniquement votre réfrigérateur. Utiliser une prise murale qui ne peut pas être mise hors circuit à l'aide d'un commutateur. Ne pas employer de rallonge.

**REMARQUE :** Avant d'exécuter toute cette installation, nettoyage ou remplacement d'une ampoule d'éclairage, tourner le réglage du thermostat (ou le réglage du réfrigérateur selon le modèle) à OFF (arrêt) et débrancher ensuite le réfrigérateur de la source d'alimentation électrique. Lorsque vous avez terminé, reconnecter le réfrigérateur à la source d'alimentation électrique et mettre de nouveau le réglage du thermostat (ou réglage du réfrigérateur) au réglage désiré.

## Inversion du sens d'ouverture des portes

### IMPORTANT:

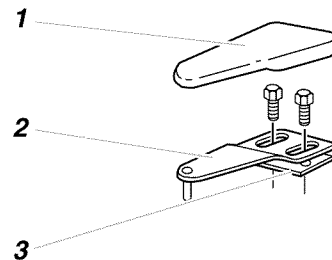
- La porte doit être supportée lorsque les charnières sont dégagées quand la porte n'est pas fermement jointe à la caisse.
- Avant de commencer, tourner l'interrupteur du réfrigérateur à OFF (ARRÊT), le débrancher et enlever tout aliment des tablettes dans la porte.

**SUGGESTION :** L'inversion du sens d'ouverture des portes devrait être exécutée par une personne qualifiée.

### Pour enlever et réinstaller les portes :

1. Enlever les poignées des portes. Voir ci-dessous.
2. Enlever le couvercle de la charnière supérieure en la soulevant avec une lame de tourne-vis et la charnière supérieure. Enlever les vis de la charnière supérieure. Enlever la porte supérieure. Enlever les bouchons du côté opposé et les installer dans les trous au côté original.

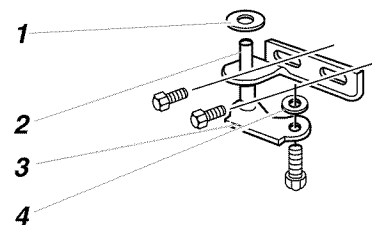
#### Charnière supérieure



1. Couvercle de la charnière supérieure
2. Charnière supérieure
3. Cale de la charnière supérieure

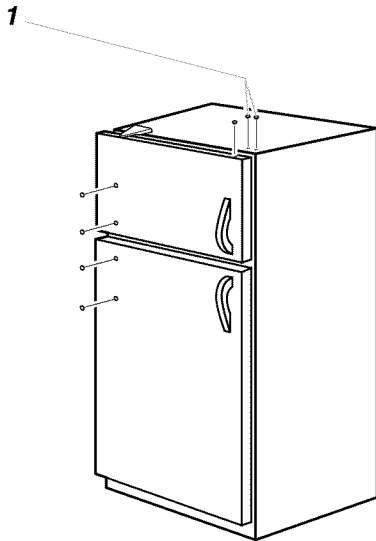
3. Enlever la charnière centrale et réinstaller les vis dans les mêmes trous. Enlever la porte inférieure.

#### Charnière centrale



1. Rondelle d'espacement en plastique
2. Charnière centrale
3. Butoir de porte
4. Rondelle en fibre

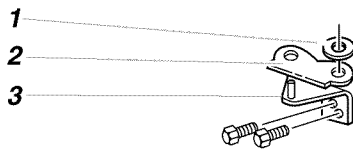
- Enlever les bouchons de montage des charnières au sommet des portes et les installer au côté opposé. Tourner les portes à l'envers et enlever la vis qui retient le butoir de la porte. Installer le butoir de la porte avec la rondelle au côté opposé. Utiliser un tournevis pour aligner les trous dans le butoir de la porte et la porte pendant le serrage.



1. Bouchons des trous de charnières

- Enlever la charnière inférieure et réinstaller les vis. Enlever les vis du côté opposé et installer la charnière avec les cales.
- Installer la porte inférieure. Installer la charnière centrale avec les rondelles en plastique sur le côté supérieur de la charnière. Aligner la porte inférieure avec le côté de la caisse avant de faire le serrage.

### Charnière inférieure

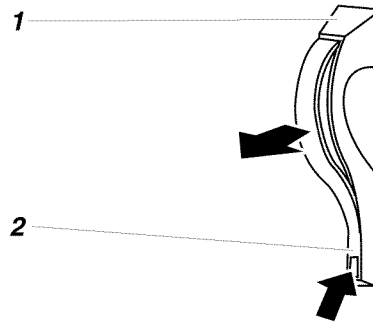


1. Rondelle en fibre  
2. Butoir de porte  
3. Charnière inférieure

- Installer la porte supérieure. Installer la charnière supérieure et la cale de la charnière. Aligner la porte supérieure pour donner une distance égale entre les portes avant le serrage.
- Les charnières au sommet et au centre peuvent être ajustées si les portes ne paraissent pas droites. S'assurer que toutes les vis sont serrées.
- Installer le couvercle de la charnière supérieure.
- Réinstaller les poignées. Voir ci-dessous.

### Pour enlever et réinstaller les poignées :

- Appuyer contre le bout de l'insertion de la poignée pour ceinturer l'insertion.
- Enlever les deux vis de montage de chaque poignée.
- Enlever les quatre bouchons des trous des poignées au côté opposé.
- Installer les bouchons, les vis, la poignée et les insertions de la poignée sur l'autre côté.



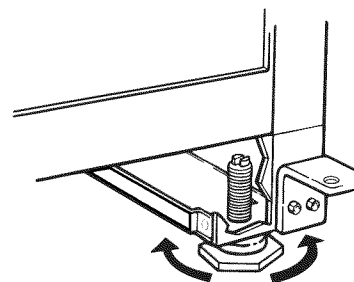
1. Poignée  
2. Insertion de poignée

## Fermeture et alignement des portes

### Fermeture de la porte

REMARQUE: Garder les deux boulons qui fixent le réfrigérateur dans la caisse d'expédition. Il s'agit des pieds de nivellement à l'avant.

- Visser les pieds complètement dans les trous des boulons dans les coins à la base du réfrigérateur.
- Brancher le cordon d'alimentation électrique du réfrigérateur dans une prise de courant à 3 alvéoles reliée à la terre. Placer le réfrigérateur à son emplacement final.
- Abaisser les pieds avant juste assez pour soulever la caisse du plancher.
- Ajuster les pieds pour niveler le réfrigérateur :
  - Tourner la pied de nivellement vers la droite pour abaisser ce côté du réfrigérateur.
  - Tourner la pied de nivellement vers la gauche pour soulever ce côté du réfrigérateur.
- Vérifier avec un niveau.



6. Ouvrir et fermer les deux portes pour s'assurer qu'elles s'ouvrent correctement.

### Alignement des portes

Si l'espace entre les portes semble inégal, on peut faire le réglage en suivant les instructions ci-dessous :

1. Soulever et enlever le couvercle de la charnière supérieure.
2. Dégager la vis de la charnière supérieure en utilisant une douille de  $\frac{5}{16}$  po ou une clé à molette.
3. Demander à une personne de tenir la porte en place ou placer un espaceur entre les portes pendant que vous serrez les vis de la charnière supérieure.

Réinstaller le couvercle sur la charnière.

---

## Les bruits de l'appareil que vous pouvez entendre

Il est possible que le réfrigérateur neuf émette des bruits que l'appareil précédent ne produisait pas. Comme ces bruits sont nouveaux, ils peuvent vous inquiéter. La plupart de ces nouveaux bruits sont normaux. Des surfaces dures comme le plancher, les murs et les armoires peuvent faire paraître les bruits plus forts qu'en réalité. Les descriptions suivantes indiquent le genre de bruits et leur origine.

- Si votre appareil est équipé d'une machine à glaçons, vous entendrez un bruit de gargouillement lorsque la valve d'eau s'ouvre pour remplir la machine à glaçons pour chaque programme.
- La minuterie du dégivreur produit un déclic au début et à la fin du programme de dégivrage. Le thermostat et le réglage feront aussi entendre un déclic lors de la mise en marche et de l'arrêt du programme.
- Les vibrations sonores peuvent provenir de l'écoulement du réfrigérant, de la canalisation d'eau ou d'articles placés sur le réfrigérateur.
- Votre réfrigérateur est conçu pour fonctionner plus efficacement afin de garder les aliments à la température désirée. Le compresseur très efficace peut faire fonctionner à votre réfrigérateur neuf plus longtemps que l'ancien et vous pouvez entendre des bruits aigus ou des vibrations sonores.
- L'eau qui dégoutte sur le dispositif de chauffage durant le programme de dégivrage peut produire un grésillement.
- Vous pouvez entendre le moteur du ventilateur d'évaporation qui fait circuler l'air dans le réfrigérateur et le congélateur.

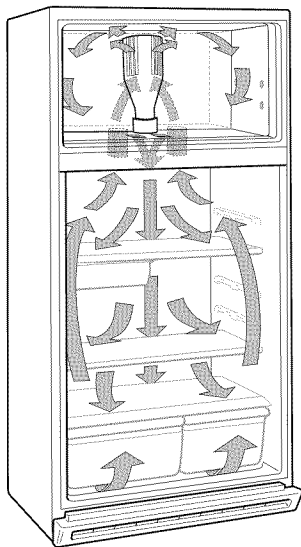
- À la fin de chaque programme, vous pouvez entendre un gargouillement attribuable au réfrigérant qui se trouve dans votre réfrigérateur.
- La contraction et l'expansion des parois internes peuvent produire un bruit sec.
- Vous pouvez entendre de l'air qui est transmis au condenseur dans le ventilateur du condenseur.
- Vous pouvez entendre l'écoulement de l'eau dans le plat de récupération d'eau de dégivrage pendant le programme de dégivrage.



# UTILISATION DU RÉFRIGÉRATEUR

## Pour s'assurer d'une circulation d'air appropriée

Pour s'assurer d'avoir des températures appropriées, il faut permettre à l'air de circuler entre les deux sections du réfrigérateur et du congélateur. Comme l'indique l'illustration, l'air froid pénètre à la base de la section du congélateur et se déplace vers le haut. La plus grande partie de l'air circule ensuite à travers la section du congélateur et recircule sur le plancher du congélateur. Le reste de l'air pénètre dans la section du réfrigérateur en passant par l'ouverture d'aération supérieure.

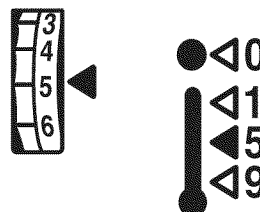


**Ne pas obstruer l'une ou l'autre de ces ouvertures d'aération** avec des aliments emballés. Si les ouvertures d'aération sont bloquées, le courant d'air sera empêché et des problèmes de température et d'humidité peuvent survenir.

**IMPORTANT :** Comme l'air circule entre les deux sections, toutes les odeurs formées dans une section seront transférées à l'autre. Vous devez nettoyer à fond les deux sections pour éliminer les odeurs. Pour empêcher le transfert d'odeurs et l'assèchement des aliments, envelopper ou recouvrir légèrement les aliments. (Voir les détails à la section "Guide d'entreposage d'aliments".)

## Réglage des commandes

La commande de température est située sur la paroi arrière du compartiment du réfrigérateur. Cette commande contrôle la température des compartiments du réfrigérateur et du congélateur. Lors du branchement initial du réfrigérateur à une source d'alimentation électrique, régler le bouton de commande de la température à "5". Les ajustements de commandes de température varient de 1 (la plus tiède) à 9 (la plus froide).



Donner au réfrigérateur le temps de refroidir complètement avant d'ajouter des aliments. Il est mieux d'attendre 24 heures avant de placer les aliments dans le réfrigérateur. Les réglages sont fait correctement lorsque le lait ou le jus est aussi froid que vous les aimez et lorsque la crème glacée est ferme. Déplacer le cadran d'un chiffre à la fois, et attendre 24 heures entre les ajustements.

**REMARQUE :** Lors d'une humidité intense, une buée peut se former sur l'extérieur de la caisse. Pour empêcher la rouille, essuyer la caisse et régler de nouveau la température à un réglage plus froid.

**IMPORTANT :** Si vous ajoutez des aliments avant que le réfrigérateur soit refroidi complètement, vos aliments peuvent se gâter. **Tourner la commande de température à un degré plus élevé (plus froid) que le réglage recommandé, ne refroidira pas les compartiments plus vite.**

# Guide d'entreposage des aliments

## Conservation des aliments frais

Des aliments placés au réfrigérateur doivent être enveloppés ou gardés dans un emballage hermétique et à l'épreuve de l'humidité à moins d'indications contraires. Ceci empêche l'odeur et le goût des aliments de se répandre dans tout le réfrigérateur. Pour des produits datés, vérifier les dates indiquées pour s'assurer de la fraîcheur des aliments.

### Beurre ou margarine

Garder le beurre entamé dans un beurrier muni d'un couvercle ou dans un compartiment fermé. Lors de la conservation de quantités supplémentaires, utiliser un emballage pour congélateur et faire congeler.

### Fromage

Conserver dans son emballage original jusqu'à l'emploi. Une fois le paquet ouvert, réemballer hermétiquement le fromage dans une pellicule en plastique ou du papier d'aluminium.

### Lait

Essuyer les contenants. Pour qu'il se conserve mieux, placer le lait sur une tablette à l'intérieur.

### Œufs

Conserver les œufs sans les laver dans le carton original sur une tablette à l'intérieur.

### Fruits

Laver, laisser sécher et mettre au réfrigérateur dans un sac en plastique ou dans le bac à légumes. Ne pas laver ni équeuter les petits fruits avant le moment de leur utilisation. Les trier et les conserver dans l'emballage original dans le bac à légumes ou les conserver sur une tablette du réfrigérateur dans un sac fermé en papier sans être serré.

### Légumes à feuilles

Retirer l'emballage original et couper ou éliminer les sections endommagées et décolorées. Laver à l'eau froide et égoutter. Placer dans un sac ou un contenant en plastique et ranger dans le bac à légumes.

### Légumes à pelure (carottes, poivrons)

Placer dans des sacs en plastique ou contenants en plastique et ranger dans le bac à légumes.

### Poisson

Utiliser du poisson et des fruits de mer frais le jour même de leur achat.

## Viande

La plupart des viandes peuvent être conservées dans leur emballage original tant que cet emballage est hermétique et à l'épreuve de l'humidité. Emballer de nouveau si nécessaire. Voir le tableau suivant pour les périodes de conservation. Si la viande doit être conservée pour une période plus longue que la durée donnée, faire congeler la viande.

Poulet .....	1 à 2 jours
Boeuf haché .....	1 à 2 jours
Viandes de variété (foie, coeur, etc.).....	1 à 2 jours
Charcuterie .....	3 à 5 jours
Steaks/rôtis.....	3 à 5 jours
Bacon .....	5 à 7 jours
Viandes traitées .....	7 à 10 jours

## Les restes

Couvrir les restes avec de la pellicule en plastique ou du papier d'aluminium. Il est convenable aussi d'utiliser des contenants en plastique avec couvercle hermétique.

## Conservation des aliments congelés

**REMARQUE :** Pour plus de renseignements au sujet de la préparation des aliments pour la congélation ou pour les temps de conservation d'aliments, consulter un guide pour congélateur ou un livre de recettes fiable.

### Emballage

Le secret d'une congélation efficace réside dans l'emballage. Il doit être fermé et scellé de façon à empêcher la pénétration et l'évacuation de l'air ou de l'humidité. Toute autre méthode d'emballage risque d'entraîner la propagation des saveurs et d'odeurs dans tout le réfrigérateur et l'assèchement des aliments congelés.

### Recommandations pour l'emballage :

- Contenants rigides en plastique avec couvercle hermétique
- Bocaux de conserve/congélation à bord droit
- Papier d'aluminium résistant
- Papier recouvert de plastique
- Emballages en papier étanche (pellicule Saran)
- Sacs en plastique autohermétiques spécifiés pour congélateur

Suivre les instructions de l'emballage ou du contenant pour les méthodes de congélation appropriées.

### Ne pas utiliser :

- Emballages pour le pain
- Contenants en plastique autres qu'en polyéthylène
- Contenants sans couvercle hermétique
- Papier paraffiné ou emballage pour congélateur enduit de cire
- Emballage mince semi-perméable

### Congélation

Le congélateur ne congèlera pas rapidement une grande quantité d'aliments. Ne pas placer plus d'aliments non congelés dans le congélateur que la quantité qui congèlera dans l'intervalle de 24 heures (pas de plus de 907 à 1 350 g. par litre [2 à 3 lb] d'aliments par pied cube d'espace dans le congélateur). Laisser assez d'espace pour permettre la circulation d'air entre les emballages. S'assurer aussi de laisser assez d'espace à l'avant pour que la porte se ferme hermétiquement.

Les périodes de conservation varieront selon la qualité et le type des aliments, le type d'emballage et le type de pellicule utilisés (hermétiques et à l'épreuve de l'humidité) et la température d'entreposage. Les cristaux de glace à l'intérieur d'un emballage scellé sont normaux. Les cristaux signifient simplement que l'humidité dans les aliments et l'air à l'intérieur de l'emballage se sont condensés en créant des cristaux de glace.

**REMARQUE :** Laisser les aliments chauds refroidir à la température de la pièce pendant 30 minutes, ensuite préparer l'emballage et faire congeler. Le refroidissement des aliments chauds avant la congélation économise de l'énergie.

# CARACTÉRISTIQUES DU RÉFRIGÉRATEUR

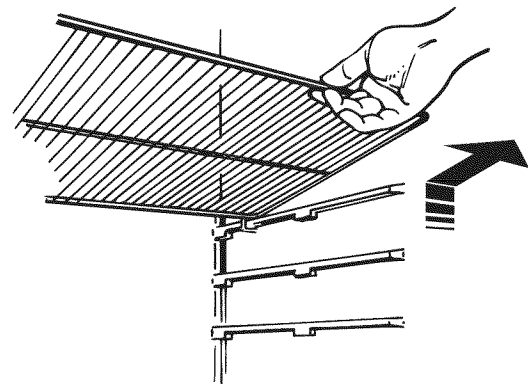
## Tablettes du réfrigérateur

Les tablettes dans votre réfrigérateur sont réglables pour correspondre à vos besoins individuels.

Ranger les aliments semblables ensemble dans le réfrigérateur et le réglage des tablettes en fonction des différentes hauteurs des articles permettra de les trouver plus facilement. Ceci réduira également la durée d'ouverture de la porte du réfrigérateur et économisera l'énergie.

### Pour retirer une tablette :

1. Enlever tous les articles sur la tablette.
2. Glisser la tablette vers l'extérieur jusqu'à la butée.
3. Soulever le devant.
4. Glisser la tablette vers l'extérieur complètement.



### Pour réinstaller une tablette :

1. Fixer l'arrière de la tablette sur le dessus de la glissière.
2. Soulever le devant de la tablette.
3. Glisser la tablette directement vers l'intérieur.

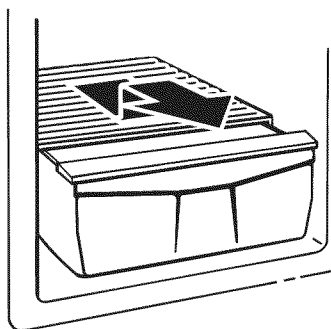
---

## Bac à légumes et couvercle du bac à légumes

### Pour extraire le bac :

1. Glisser le bac directement vers l'extérieur jusqu'à la butée.
2. Soulever le devant.
3. Glisser le bac vers l'extérieur au complet.

### Réinstaller le bac en le glissant en dépassant complètement la butée du tiroir .



### Pour enlever le couvercle du bac à légumes :

1. Soulever le couvercle et le glisser vers l'extérieur.
2. Remplacer le couvercle en le plaçant l'arrière du couvercle contre le mur arrière de la caisse. Ensuite abaisser le devant en place.

---

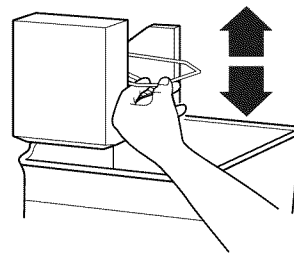
## Utilisation de la machine à glaçons (sur certains modèles)

Lorsque la section du congélateur atteint la température normale du congélateur, la machine à glaçons se remplit d'eau et commence à former des glaçons. Accorder 24 heures pour produire la première quantité de glaçons. La machine à glaçons devrait alors produire environ de 7 à 9 quantités de glaçons dans une période de 24 heures. Jeter les trois premières quantités de glaçons produites, pour éviter les impuretés qui peuvent être expulsées du système.

Après la fabrication, les glaçons tombent dans le bac d'entreposage. Lorsque le bac d'entreposage est rempli, le levier de la machine à glaçons s'élève à la position OFF (arrêt), (levier soulevé). Si les glaçons ne sont pas requis, on peut arrêter la machine à glaçons en levant le bras à la position OFF (arrêt) (levier soulevé). Écouter s'il y a un clic pour vous assurer que la machine à glaçons ne continuera pas de fonctionner.

Pour mettre en marche la machine à glaçons, abaisser le levier à la position ON (mise en marche). Ne pas forcer le levier vers le haut ou vers le bas. Ne pas garder quoi que ce soit au sommet de la machine à glaçons ou dans le bac d'entreposage des glaçons.

- Le levier ON/OFF (marche/arrêt) est un bras de commande en broche pour la machine à glaçons, situé au côté de la machine à glaçons. Abaisser le bras pour commencer automatiquement la fabrication de glaçons, et pousser le bras vers le haut pour arrêter la fabrication de glaçons.



- Il est normal que des glaçons se collent aux coins. Ils se sépareront facilement.
- La machine à glaçons ne fonctionnera pas avant que le congélateur ne soit assez froid pour fabriquer des glaçons. Ce délai peut durer toute une nuit.
- Si les glaçons ne sont pas fabriqués assez vite et si vous avez besoin d'une plus grande quantité de glaçons, tourner le réglage du congélateur vers un numéro plus élevé par étape de demi-numéro. (Par exemple, si le réglage est à 3, le déplacer entre 3 et 4.) Attendre 24 heures et si nécessaire, tourner graduellement le réglage d'équilibre d'air au réglage le plus élevé, et attendre 24 heures entre chaque augmentation.

### À NOTER :

- La bonne qualité de vos glaçons dépendra de la bonne qualité de l'approvisionnement d'eau auquel est raccordée la machine à glaçons.
- Éviter de brancher la machine à glaçons à un approvisionnement d'eau adoucie. Les produits chimiques de l'eau adoucie (tels que le sel) peuvent endommager le moule de la machine à glaçons et fournir des glaçons de qualité médiocre. Si un approvisionnement d'eau adoucie ne peut pas être évité, s'assurer que l'adoucisseur d'eau fonctionne bien et est bien entretenu.

# ENTRETIEN DE VOTRE RÉFRIGÉRATEUR

## Nettoyage du réfrigérateur

### ⚠ AVERTISSEMENT



#### Risque d'explosion

Utiliser un produit de nettoyage ininflammable.

Le non-respect de cette instruction peut causer un décès, une explosion ou un incendie.

Les sections du réfrigérateur et du congélateur se dégivrent automatiquement. Toutes deux doivent cependant être nettoyées environ une fois par mois afin de prévenir l'accumulation d'odeurs. Essuyer immédiatement les produits renversés.

#### Conseil pour économie d'énergie :

Nettoyer régulièrement les serpentins du condenseur, tel que décrit dans le tableau de nettoyage dans cette section. Un pinceau pour le nettoyage des serpentins peut être acheté. Composer le 616-923-7113 et demander le numéro de pièce 4210463.

#### Nettoyage du réfrigérateur :

- Débrancher le réfrigérateur ou déconnecter la source du courant électrique.
- Eulever toutes les pièces amovibles de l'intérieur telles que tablettes, bacs, etc.
- Utiliser une éponge propre ou un linge doux et un détergent doux avec de l'eau tiède. Ne pas utiliser de nettoyants abrasifs ou durs.
- Laver manuellement, rincer et sécher toutes les surfaces à fond.
- Brancher le réfrigérateur ou reconnecter la source de courant électrique.

#### ■ Autres conseils de nettoyage indiqués ci-dessous :

PIÈCES	COMMENTAIRES
<b>Extérieur</b>	■ Le cirage de surfaces métalliques peintes à l'extérieur, aide à fournir une protection antirouille. Ne pas cirer les pièces en plastique. Cirer les surfaces métalliques peintes au moins deux fois par année avec une cire pour appareils électroménagers (ou cire en pâte de qualité pour automobile). Appliquer la cire avec un linge propre et doux.
<b>Parois intérieures</b> (le congélateur doit être assez tiède pour que le chiffon n'adhère pas)	■ Pour aider à éliminer les odeurs, on peut faire le lavage avec un mélange d'eau tiède et de bicarbonate de soude [26 g à 0,95 L] (2 c. à soupe à 1 pinte d'eau).
<b>Garnitures et joints des portes</b>	■ Ne pas utiliser de cires nettoyantes, de détergents concentrés, d'eau de Javel ni de nettoyants contenant du pétrole sur les pièces en plastique.
<b>Pièces en plastique</b> (couverts et panneaux)	■ Ne pas utiliser d'essuie-tout en papier, de nettoyants à vitre en atomiseur, de nettoyants à récurer ou de liquides inflammables. Ces produits risquent d'égratigner ou d'endommager le matériau.
<b>Serpentins du condenseur</b>	■ Retirer la grille de la base. (Voir section "Grille de la base".) ■ Employer un aspirateur avec un accessoire long pour nettoyer les serpentins du condenseur. ■ Nettoyer à l'aspirateur les serpentins lorsqu'ils sont sales ou poussiéreux. Il se peut que les serpentins aient besoin d'être nettoyés aussi souvent qu'à tous les deux mois. ■ Replacer la grille de la base.

---

## Remplacement des ampoules d'éclairage

**REMARQUE :** Toutes les ampoules d'appareils ménagers ne conviendront pas à votre réfrigérateur. S'assurer de remplacer l'ampoule par une ampoule de même grosseur, forme et tension.

### Pour changer les lampes du réfrigérateur :

1. Débrancher le réfrigérateur ou déconnecter la source de courant électrique.
2. Remplacer l'ampoule par une ampoule d'appareils ménagers de même tension.
3. Brancher le réfrigérateur ou reconnecter la source d'alimentation électrique.

---

## Pannes de courant

En cas de panne de courant, téléphoner à la compagnie d'électricité pour demander la durée de la panne.

1. Si le service doit être interrompu durant **24 heures ou moins, garder les deux portes fermées** pour aider les aliments à demeurer froids et congelés.
2. Si le service doit être interrompu **pendant plus de 24 heures :**
  - a) Retirer tous les aliments congelés et les entreposer dans un entrepôt frigorifique.

**OU**

- b) Placer 907 g (2 lb) de neige carbonique dans le congélateur pour chaque pied cube (28 litres) d'espace de congélation. Cette quantité permettra de garder les aliments congelés durant deux à quatre jours. Porter des gants pour protéger les mains contre les morsures de la glace lorsque vous employez de la neige carbonique.

**OU**

- c) S'il n'y a pas d'entrepôt frigorifique ni de neige carbonique, consommer ou mettre immédiatement en conserve les aliments périssables.

**REMARQUE :** Un congélateur plein restera froid plus longtemps qu'un congélateur partiellement rempli. Un congélateur plein de viandes demeure froid plus longtemps qu'un congélateur rempli de pains et de pâtisseries. Si les aliments contiennent des cristaux de glace, ils peuvent être remis à congeler sans danger même si la qualité et la saveur risquent d'être affectées. Si les aliments semblent de piètre qualité ou douteux, les jeter.

---

## Entretien avant les vacances ou lors d'un déménagement

### Vacances

**Si vous choisissez de laisser le réfrigérateur en fonctionnement pendant votre absence,** utiliser ces étapes pour préparer votre réfrigérateur avant d'aller en vacances.

1. Consommer tous les aliments périssables et congeler les autres articles au congélateur.
2. Si votre réfrigérateur a une machine à glaçons automatique :
  - Soulever le bras de la machine à glaçons à la position OFF (élevée).
  - Fermer l'approvisionnement d'eau à la machine à glaçons.
3. Vider le bac à glaçons.

**Si vous choisissez d'arrêter le fonctionnement du réfrigérateur avant votre absence,** observer ces étapes.

1. Enlever tous les aliments du réfrigérateur.
2. Si votre réfrigérateur a une machine à glaçons automatique :
  - Fermer l'approvisionnement d'eau à la machine à glaçons au moins une journée à l'avance.
  - Lorsque la dernière quantité de glaçons est déposée, soulever le bas de la machine à glaçons à la position OFF (élevée).
3. Tourner la commande du thermostat (ou la commande du réfrigérateur, selon le modèle) à OFF.
4. Nettoyer le réfrigérateur, l'essuyer et bien le sécher.
5. À l'aide d'un ruban adhésif, placer des blocs de caoutchouc ou de bois dans la partie supérieure de chaque porte de façon à ce qu'elles soient suffisamment ouvertes pour permettre la circulation de l'air à l'intérieur, afin d'éviter l'accumulation d'odeur ou de moisissure.

### Déménagement

Lorsque vous déménagez votre réfrigérateur à une nouvelle habitation, suivre ces étapes pour préparer le déménagement.

1. Si votre réfrigérateur a une machine à glaçons automatique :
  - Fermer l'approvisionnement d'eau de la machine à glaçons au moins une journée à l'avance.
  - Débrancher la canalisation d'eau de l'arrière du réfrigérateur.
  - Lorsque la dernière quantité de glaçons est tombée, soulever le bras de commande à la position OFF (élevée).
2. Retirer tous les aliments du réfrigérateur et placer tous les aliments congelés dans de la neige carbonique.

3. Tourner le thermostat (ou réglage du réfrigérateur, selon le modèle) à OFF (arrêt).
4. Débrancher le réfrigérateur de la prise.
5. Vider l'eau du plat de dégivrage.
6. Nettoyer, essuyer et sécher à fond.
7. Retirer toutes les pièces amovibles, bien les envelopper et les attacher ensemble à l'aide de ruban adhésif pour qu'elles ne bougent pas ni ne s'entrechoquent durant le déménagement.
8. Soulever le devant du réfrigérateur pour qu'il roule plus facilement. Voir la section "Fermeture et alignement des portes".
9. Fermer la porte à l'aide de ruban adhésif et fixer le cordon d'alimentation à la caisse du réfrigérateur.

Lorsque vous arriverez à votre nouvelle habitation, remettre tout en place et consulter la section "Installation du réfrigérateur" pour les instructions de préparation. Aussi, si votre réfrigérateur a une machine à glaçons automatique, rappelez-vous de rebrancher l'approvisionnement d'eau au réfrigérateur.

---

# GUIDE DE DÉPANNAGE

---

**Essayer les solutions suggérées ici en premier afin d'éviter les coûts d'une visite de service inutile.**

---

## Le réfrigérateur ne fonctionne pas

---

- **Le cordon d'alimentation électrique est débranché.**  
Brancher fermement le cordon du courant électrique dans une prise de courant active avec tension de voltage appropriée.
- **Un fusible est grillé ou le disjoncteur s'est déclenché.**  
Remplacer le fusible ou enclencher de nouveau le disjoncteur.
- **Le réglage du réfrigérateur est à la position "OFF" (arrêt).**  
Voir la section "Réglage des commandes".
- **Le réfrigérateur se dégivre.**  
Vérifier pour voir si le réfrigérateur fonctionne au bout de 30 minutes. Le réfrigérateur exécutera régulièrement un programme automatique de dégivrage.

---

## Les ampoules n'éclairent pas

---

- **Le cordon du courant électrique est débranché.**  
Brancher fermement le cordon du courant électrique dans une prise de courant active avec tension de voltage appropriée.
- **Une ampoule d'éclairage est délogée dans la douille.**  
Tourner le réglage du réfrigérateur à OFF (arrêt). Débrancher le réfrigérateur de la source d'alimentation électrique. Enlever délicatement l'ampoule et la réinsérer. Ensuite rebrancher le réfrigérateur à la source de courant électrique et faire de nouveau le réglage du réfrigérateur.
- **Une ampoule est grillée.**  
Remplacer par une ampoule d'appareil électroménager de tension, de grosseur et de format similaires. Voir la section "Remplacement des ampoules d'éclairage".

---

## Le plat de dégivrage contient de l'eau

---

- **Le réfrigérateur se dégivre.**  
L'eau s'évaporerait. C'est normal pour l'eau de dégoutter dans le plat de dégivrage.
- **Le réfrigérateur est plus humide que normalement.**  
Prévoir que l'eau dans le plat de dégivrage prend plus de temps à s'évaporer. Ceci est normal quand il fait chaud ou humide.

---

## Le moteur semble fonctionner excessivement

---

- **La température ambiante est plus chaude que normalement.**

Prévoir que le moteur fonctionnera plus longtemps dans des conditions de chaleur. Pour des températures ambiantes normales, prévoir que le moteur fonctionne environ de 40 % à 80 % du temps. Dans des conditions plus chaudes, prévoir un fonctionnement encore plus fréquent.

- **Une grande quantité d'aliments vient d'être ajoutée au réfrigérateur.**

L'addition d'une grande quantité d'aliments réchauffe le réfrigérateur. Il est normal que le moteur fonctionne plus longtemps afin de refroidir de nouveau le réfrigérateur. Voir la section "Guide d'entreposage des aliments".

- **Les portes sont fréquemment ouvertes.**

Prévoir que le moteur fonctionnera plus longtemps dans ce cas. Afin de conserver l'énergie, essayer de sortir tout ce dont vous avez besoin du réfrigérateur à la fois, garder les aliments organisés de sorte qu'ils sont faciles à trouver et fermer la porte dès que les aliments sont retirés.

- **Les réglages ne sont pas faits correctement pour les conditions ambiantes.**

Voir la section "Réglage des commandes".

- **Les portes ne sont pas complètement fermées.**

Pousser les portes pour qu'elles soient bien fermées. Si les portes ne ferment pas complètement, voir "Les portes ne se ferment pas complètement" plus loin dans cette section.

- **Les serpentins du condenseur sont sales.**

Cette situation empêche le transfert de l'air et fait travailler davantage le moteur. Nettoyer les serpentins du condenseur. Voir la section "Nettoyage du réfrigérateur".

**REMARQUE :** Votre réfrigérateur neuf fonctionnera plus longtemps que l'ancien appareil du fait de son moteur très efficace.

---

## Le réfrigérateur semble faire trop de bruit

---

- **Les sons peuvent être normaux pour votre réfrigérateur.**

Voir la section "Les bruits de l'appareil que vous pouvez entendre".

---

## La machine à glaçons ne produit pas de glaçons

---

- **La température du congélateur n'est pas assez froide pour produire des glaçons.**

Attendre 24 heures après le branchement pour la production de glaçons. Voir la section "Réglage des commandes".

- **Le levier de la machine à glaçons est en position "OFF" (élevée).**

Abaisser le bras à la position "ON" (abaissée). Voir la section "Utilisation de la machine à glaçons".

- **La valve de la canalisation d'eau reliée au réfrigérateur n'est pas ouverte.**

Ouvrir la valve d'eau. Voir la section "Raccordement du réfrigérateur à glaçons à une canalisation d'eau".

- **Un glaçon est coincé dans le bras éjecteur.**

Enlever le glaçon du bras éjecteur avec un ustensile en plastique. Voir "Utilisation de la machine à glaçons".

- **Le moule de la machine à glaçons n'a pas d'eau ou aucun glaçon n'a été produit.**

Vérifier pour voir si le réfrigérateur a été branché à la canalisation d'eau à la maison, et si la valve d'arrêt de la canalisation est ouverte. Voir la section "Raccordement du réfrigérateur à une canalisation d'eau".

Si cette situation n'est pas attribuable à ce qui précède, il peut exister un problème avec la canalisation d'eau. Faire un appel de service.

---

## La machine à glaçons produit trop peu de glaçons

---

- **La machine à glaçons vient juste d'être installée.**

Attendre 72 heures pour le commencement de la production complète de glaçons. Une fois que le réfrigérateur est refroidi, la machine à glaçons devrait commencer à produire de 70 à 120 glaçons à toutes les 24 heures.

- **Une grande quantité de glaçons vient d'être enlevée.**

Attendre 24 heures pour que la machine à glaçons produise plus de glaçons.

- **Les réglages ne sont pas faits correctement.**

Voir la section "Réglage des commandes".

- **Le robinet d'eau n'est pas complètement ouvert.**

Tourner complètement le robinet à la position ouverte. Voir la section "Raccordement du réfrigérateur à une canalisation d'eau".

- **Il existe un filtre d'eau installé sur le réfrigérateur. Ce filtre peut être obstrué ou installé incorrectement.**

Premièrement, vérifier les instructions d'installation du filtre pour s'assurer que le filtre a été installé correctement et qu'il n'est pas obstrué. Si l'installation ou l'obstruction n'est pas le problème, faire un appel de service.



---

## Mauvais goût ou odeur des glaçons

---

- **Les raccords de plomberie sont neufs et causent une décoloration et un mauvais goût des glaçons.**  
Jeter les premières quantités de glaçons.
- **Les glaçons ont été gardés trop longtemps.**  
Jeter les vieux glaçons et en faire une nouvelle provision.
- **Les aliments dans le réfrigérateur n'ont pas été bien emballés.**  
Voir "Conservation des aliments congelés" dans la section "Guide d'entreposage des aliments".
- **Le congélateur et le bac à glaçons ont besoin d'être nettoyés.**  
Voir la section "Nettoyage du réfrigérateur".
- **L'eau contient des minéraux (tel que le soufre).**  
L'installation d'un filtre peut être requis afin d'enlever les minéraux.

---

## La cloison entre les deux sections est tiède

---

La température tiède est probablement attribuable à un fonctionnement normal du réglage automatique de l'humidité de l'extérieur.

---

## La température est trop tiède

---

- **Les ouvertures d'aération sont bloquées dans une section ou l'autre. Cette obstruction empêche le mouvement de l'air froid du congélateur au réfrigérateur.**  
Enlever tous les objets placés en avant des ouvertures d'aération. Consulter "Pour s'assurer d'une circulation d'air appropriée" pour l'emplacement des ouvertures d'aération.
- **La porte est souvent ouverte.**  
Prévoir que le réfrigérateur deviendra tiède dans ce cas. Pour garder le réfrigérateur froid, essayer de retirer rapidement à la fois tout ce dont vous avez besoin du réfrigérateur, garder les aliments bien rangés de sorte qu'il soit facile de les trouver et fermer la porte dès que les aliments sont retirés.
- **Une grande quantité d'aliments vient d'être ajoutée au réfrigérateur ou au congélateur.**  
L'addition d'une grande quantité d'aliments réchauffe le réfrigérateur. Plusieurs heures peuvent être nécessaires pour que le réfrigérateur revienne à la température normale.
- **Les réglages ne sont pas faits correctement pour les conditions ambiantes.**  
Voir la section "Réglage des commandes".

---

## Il existe une accumulation d'humidité à l'intérieur.

---

- **Les ouvertures d'aération dans le réfrigérateur sont bloquées.**  
Enlever tous les objets en avant des ouvertures d'aération. Consulter "Pour s'assurer d'une circulation d'air appropriée" pour le remplacement des ouvertures d'aération.
- **La porte est fréquemment ouverte.**  
Pour éviter l'accumulation d'humidité, essayer de retirer rapidement tout ce dont vous avez besoin du réfrigérateur, garder les aliments rangés de sorte qu'il soit facile de les trouver et fermer la porte dès que les aliments sont retirés. (Lorsque la porte est ouverte, l'humidité de l'air extérieur pénètre dans le réfrigérateur. Le plus souvent la porte est ouverte, le plus rapidement l'humidité s'accumule, surtout lorsque la pièce est très humide).
- **La pièce est humide.**  
Il est normal pour l'humidité de s'accumuler à l'extérieur du réfrigérateur lorsque l'air de l'extérieur est humide.
- **Les aliments ne sont pas correctement emballés.**  
Vérifier que tous les aliments sont bien emballés. Si nécessaire, emballer de nouveau les aliments d'après les directives à la section "Guide d'entreposage des aliments". Essuyer les contenants humides d'aliments avant de les placer au réfrigérateur.
- **Les réglages ne sont pas correctement faits pour les conditions ambiantes.**  
Voir la section "Réglage des commandes".
- **Un programme autodégivreur a été complété.**  
Il est normal que des gouttelettes se forment sur la paroi arrière après que le réfrigérateur se dégivre automatiquement.

---

## Les portes sont difficiles à ouvrir

---

- **Les joints sont sales ou collants.**  
Nettoyer les joints et la surface. Frotter en appliquant une couche très mince de cire de paraffine sur les joints à la suite d'un nettoyage.

---

## Les portes ne se ferment pas complètement

---

- **Les emballages des aliments bloquent l'ouverture de la porte.**

Réorganiser les contenants de sorte qu'ils soient plus rapprochés et prennent moins d'espace.

- **Le bac à glaçons n'est pas en bonne position.**

Pousser le bac à glaçons jusqu'au fond.

- **Le couvercle du bac à légumes, plats, tablettes, bacs ou paniers ne sont pas en position.**

Placer le couvercle du bac à légumes et tous les plats, tablettes, bacs et paniers à la position correcte. Voir plus de renseignements à la section "Caractéristiques du réfrigérateur".

- **Les joints collent.**

Nettoyer les joints et la surface. Frotter en appliquant une couche très mince de cire de paraffine sur les joints à la suite d'un nettoyage.

- **Le réfrigérateur n'est pas d'aplomb ou semble instable.**

Niveler le réfrigérateur. Consulter la section "Fermeture et alignement des portes".

- **Les portes ont été enlevées durant l'installation de l'appareil et n'ont pas été bien installées.**

Enlever et replacer les portes en suivant la section "Inversion du sens d'ouverture des portes" ou téléphoner à un technicien qualifié.

# DEMANDE D'ASSISTANCE OU DE SERVICE

Avant de demander une assistance ou un service, veuillez vérifier la section "Diagnostic". Cette vérification peut vous faire économiser le coût d'une visite de réparation. Si vous avez encore besoin d'aide, suivre les instructions ci-dessous.

## POUR ASSISTANCE OU SERVICE AUX ÉTATS-UNIS :

### 1. Si le problème n'est pas attribuable à l'une des causes indiquées à la section "Guide de dépannage"...

Téléphoner au centre d'assistance aux consommateurs Roper en composant 1-616-923-7113. Nos consultants sont disponibles pour vous aider.

Lors d'un appel, veuillez connaître la date d'achat et les numéros au complet de modèle et de série de votre appareil (voir section "Garantie"). Ces renseignements nous aideront à mieux répondre à votre demande.

#### Nos consultants fournissent l'assistance pour :

- Caractéristiques et spécifications à notre gamme complète d'appareils électroménagers
- Renseignements d'installation
- Procédés d'utilisation et d'entretien
- Banque d'accessoires et de pièces de rechange
- Assistance spécialisée au client (langue espagnole, malentendants, malvoyants, etc.)
- Les références aux concessionnaires, compagnies de service de réparation et distributeurs de pièces de rechange locaux

Les techniciens de service Roper sont formés pour remplir la garantie des produits et fournir un service après la garantie partout aux États-Unis.

Pour localiser la compagnie de service Roper autorisée dans votre région, vous pouvez consulter les pages jaunes de votre annuaire téléphonique.

### 2. Si vous avez besoin de pièces de rechange...

Si vous avez besoin de commander des pièces de rechange, nous vous recommandons d'utiliser seulement des pièces FSP® autorisées de l'usine. Les pièces de rechange FSP conviendront bien et fonctionneront bien parce qu'elles sont fabriquées selon les mêmes spécifications précises utilisées pour construire chaque nouvel appareil Roper.

Pour localiser des pièces de rechange FSP dans votre région, téléphoner à notre centre d'assistance aux consommateurs ou au centre de service autorisé le plus proche.

### 3. Pour plus d'assistance ...

Si vous avez besoin de plus d'assistance, vous pouvez écrire à Whirlpool en soumettant toute question ou problème à :

Whirlpool Brand Home Appliances  
Consumer Assistance Center  
c/o Correspondence Dept.  
2000 North M-63  
Benton Harbor, MI 49022-2692

Dans votre correspondance, veuillez indiquer un numéro de téléphone où on peut vous rejoindre dans la journée.

## POUR ASSISTANCE OU SERVICE AU CANADA

### 1. Si le problème n'est pas attribuable à l'une des causes indiquées dans la section "Guide de dépannage" \*...

Contactez le marchand où vous avez acheté votre appareil électroménager ou téléphonez sans frais d'interurbain au Centre d'assistance aux consommateurs d'Inglis Limitée, entre 8 h 30 et 18 h HNE au numéro 1-800-461-5681..

Si vous le préférez écrivez au :

Service des relations avec la Clientèle  
Inglis Limited  
1901 Minnesota Court  
Mississauga, Ontario L5N 3A7

Dans votre correspondance, veuillez indiquer un numéro de téléphone où on peut vous rejoindre dans la journée.

### 2. Si vous avez besoin de service\* ...

Contactez le service d'appareils ménagers Inglis Limitée le plus proche de n'importe où au Canada au 1-800-807-6077.

#### \*Lors d'une demande d'aide ou de service :

Veuillez fournir une description détaillée du problème, le numéro au complet de modèle et de série de votre appareil ménager, et la date d'achat. (Voir section de la "Garantie"). Ces renseignements nous aideront à mieux répondre à votre demande.

# GARANTIE DE RÉFRIGÉRATEUR ROPER®

## GARANTIE COMPLÈTE DE UN AN (à partir de la date d'achat)

Les pièces de rechange FSP® et les frais de réparation pour corriger les vices de matériaux ou de fabrication. Les travaux doivent être effectués par une compagnie de service Roper Home Appliance autorisée.

## GARANTIE COMPLÈTE DE CINQ ANS (à partir de la date d'achat)

Les pièces de rechange FSP® et les frais de réparation pour corriger les vices de matériaux ou de fabrication dans le système de réfrigération scellé. Ces pièces sont : le compresseur, l'évaporateur, le condenseur, le dispositif de séchage, les tubes de raccord. Les travaux doivent être effectués par une compagnie de service Roper Home Appliance autorisée.

### Nous ne payerons pas pour :

- A. Les visites de service pour:
  - 1. Rectifier l'installation du réfrigérateur.
  - 2. Montrer à l'utilisateur comment utiliser le réfrigérateur.
  - 3. Remplacer des fusibles ou rectifier le câblage électrique ou la plomberie du domicile.
  - 4. Remplacer des ampoules électriques.
- B. Les réparations lorsque le réfrigérateur est utilisé à des fins autres qu'un usage unifamilial normal.
- C. Transport pour aller chercher et livrer l'appareil. Le réfrigérateur est conçu pour être réparé sur place.
- D. Les dommages causés par : accident, usage inapproprié, incendie, inondation, actes de Dieu, ou l'utilisation de produits non approuvés par Roper.
- E. Toute perte d'aliments attribuable à une panne de courant.
- F. Les réparations de pièces au système attribuables à des modifications non autorisées de l'appareil ménager.

11/98

Cet appareil ménager Roper est garanti par Whirlpool Corporation. Whirlpool Corporation décline toute responsabilité au titre de cette garantie pour les dommages secondaires ou indirects, et toutes les garanties implicites sont limitées à la même période que dans les garanties explicites des appareils ménagers de marque Roper. Certains États ou provinces peuvent ne pas admettre l'exclusion ou la limitation des dommages secondaires ou indirects; par conséquent, l'exclusion ou la limitation mentionnée ci-dessus peut ne pas s'appliquer dans votre cas.

Cette garantie vous confère des droits juridiques spécifiques; vous pouvez également jouir d'autres droits qui peuvent varier d'un État à un autre ou d'une province à une autre.

En dehors des États-Unis et du Canada, une garantie différente peut s'appliquer. Pour les détails, veuillez communiquer avec votre distributeur autorisé d'appareils ménagers Roper ou le magasin militaire.

Si vous avez besoin de service, consulter d'abord la section "Guide de dépannage" dans cette brochure. Après avoir vérifié la section "Guide de dépannage", une aide additionnelle peut être trouvée en vérifiant la section "Demande d'assistance ou de service" ou en composant le 1-616-923-7113.

**Conserver ce livret et le reçu de vente ensemble pour référence ultérieure. Il faut fournir une preuve d'achat ou de date d'installation pour le service au titre de la garantie.**

Veillez noter les renseignements suivants à propos du réfrigérateur pour mieux obtenir assistance ou service en cas de besoin. Vous devrez connaître les numéros de modèle et de série complets. Vous pouvez trouver cette information sur la plaque signalétique de votre appareil ménager à l'endroit indiqué dans la section "Pièces et caractéristiques" de ce livret.

Nom du marchand \_\_\_\_\_

Adresse \_\_\_\_\_

Numéro de téléphone \_\_\_\_\_

Numéro de modèle \_\_\_\_\_

Numéro de série \_\_\_\_\_

Date d'achat \_\_\_\_\_