



*Frigidaire*

Factory Parts Catalog

Product No.	FMV156DBB	FMV156DCC	FMV156DQB	FMV156DSB
Market	North America	North America	North America	North America
Color	black	stainless steel	bisque	white
Volts	120	120	120	120
Watts	950	950	950	950
Wiring Diagram	5995451720	5995451720	5995451720	5995451720
Owner's Guide	316137230	316137230	316137230	316137230
Installation Instructions	316137333	316137333	316137333	316137333



Electrolux Major Appliances  
 North & Latin America  
 P.O. BOX 212378  
 AUGUSTA, GA 30917

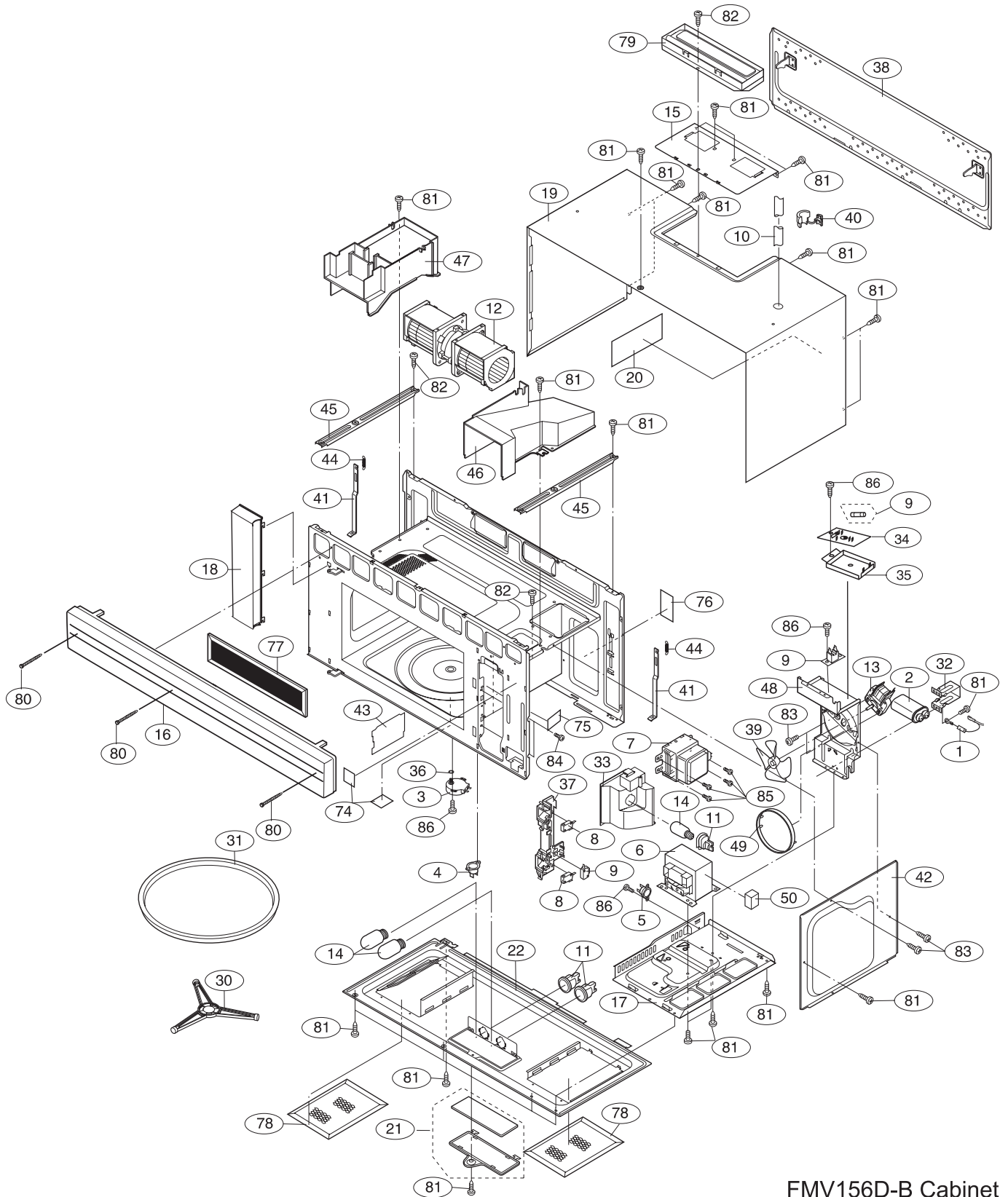
Publication No.  
**5995451720**  
 05/10/19  
 (EN/SERVICE/KC)  
 099

**OVER-RANGE  
 MICROWAVE**

Model No.  
**FMV156D**

Copyright © 2005 Electrolux Home Products, Inc.  
 All rights reserved.

OVEN, CABINET



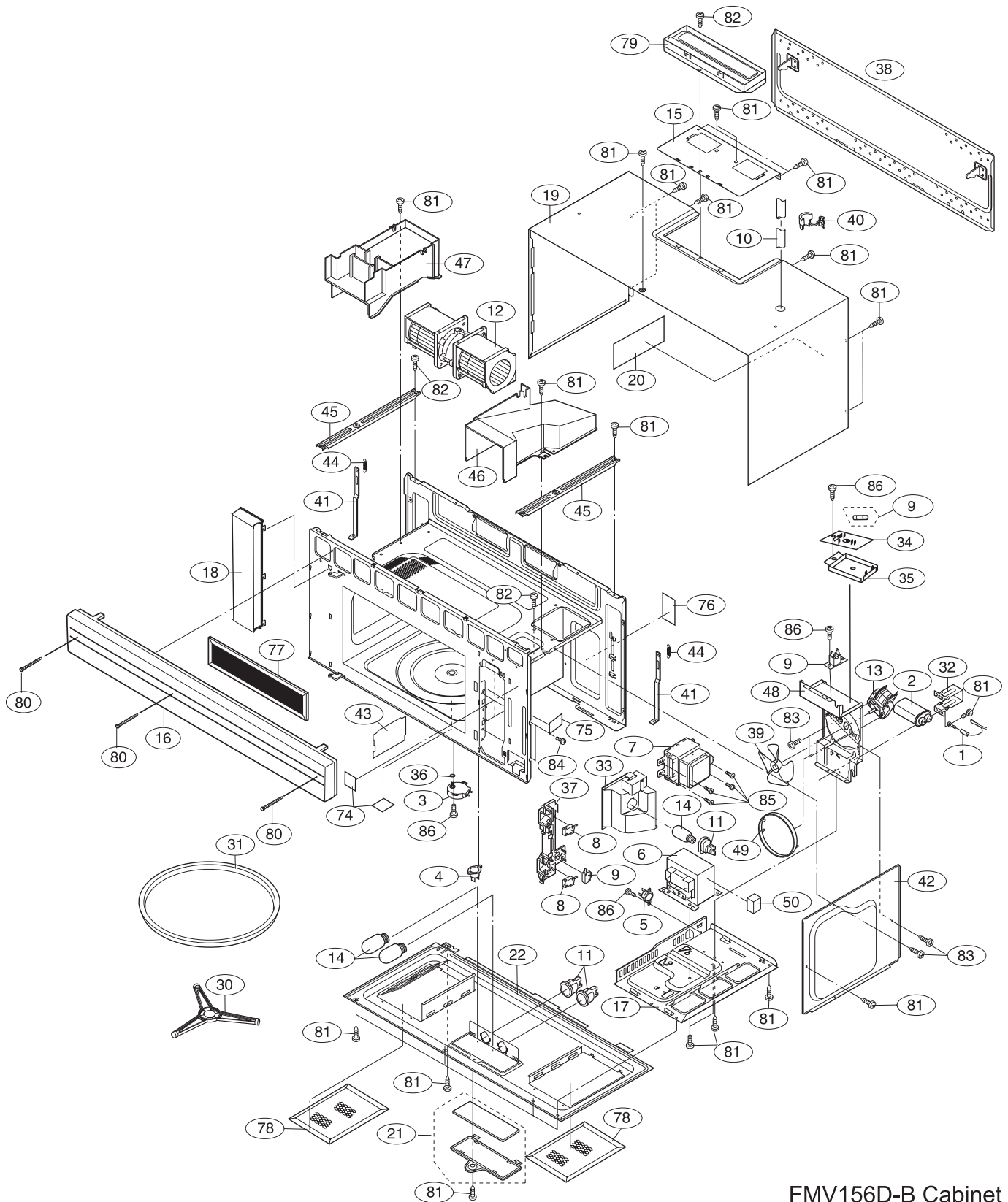
FMV156D-B Cabinet

**OVEN,CABINET**

*Model Index:* A FMV156D (FMV156DBB)  
 B FMV156D (FMV156DCC)  
 C FMV156D (FMV156DQB)  
 D FMV156D (FMV156DSB)

POS. NO	PART NO.		DESCRIPTION
1 #	5304441844	A B C D	Rectifier, high voltage
2 #	5304440342	A B C D	Capacitor, high voltage
3 #	5304448488	A B C D	Motor, turntable
4 #	5304440032	A B C D	Thermal Cutout, oven cavity
5 #	5304440023	A B C D	Thermal Cutout, hood
6 #	5304441845	A B C D	Transformer, power
7 #	5304441846	A B C D	Magnetron
8 #	5304440026	A B C D	Switch, sec. interlock, door
9 #	5304440027	A B C D	Switch Kit, monitor, with CT fuse
10 #	5304440028	A B C D	Power Cord, electric
11 #	5303319561	A B C D	Receptacle, lamp socket, oven
12 #	5304441847	A B C D	Motor, hood fan
13 #	5304441848	A B C D	Motor, cooling fan
14	5304440031	A B C D	Lamp, incandescent, 20 W, (3)
15	5304441849	A B C D	Plate, rear stay
16	5304441850	A B - -	Grille, exhaust louver, black
16	5304441851	- - C -	Grille, exhaust louver, bisque
16	5304441852	- - - D	Grille, exhaust louver, white
17	5304441853	A B C D	Base, transformer mtg, right side
18	5304451942	A - - -	Panel, front trim, black, LS
18	5304448841	- B - -	Panel, front trim, stainless, LS
18	5304441856	- - C -	Panel, front trim, bisque, LS
18	5304441857	- - - D	Panel, front trim, white, LS
19	5304441858	A B - -	Cabinet, outer casing, black
19	5304441859	- - C -	Cabinet, outer casing, bisque
19	5304441860	- - - D	Cabinet, outer casing, white
20	5304451814	A B C D	Wiring Diagram, schematic, label
21	5303319573	A B C D	Lens/Frame Assy, lamp
22	5304451815	A B - -	Cover, unit base, black
22	5304451817	- - C -	Cover, unit base, bisque
22	5304451816	- - - D	Cover, unit base, white
30	5304440284	A B C D	Support Assy, turntable
31	5304441872	A B C D	Tray, turntable, glass
32	5304441873	A B C D	Retainer, capacitor strap
33	5304441874	A B C D	Duct, magnetron
34 #	5304451818	A B C D	Filter, noise, electronic
35	5303322975	A B C D	Bracket, noise filter, angle
36	5304440288	A B C D	Bushing, motor shaft, turntable
37	5304440289	A B C D	Latch Hook
38	5304441833	A B C D	Bracket, unit mtg plate, rear
39 #	5304440843	A B C D	Fan Blade, cooling fan
40	5303319605	A B C D	Bushing, power cord
41	5304441875	A B C D	Lever, unit mounting, release
42	5304441876	A B C D	Duct, hood intake, right side
43	5304440845	A B C D	Cover, waveguide
44	5304440316	A B C D	Spring, door latch
45	5304441877	A B C D	Support, chassis

OVEN, CABINET



FMV156D-B Cabinet

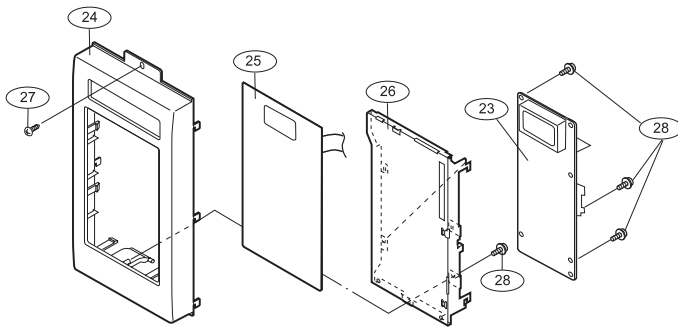
**OVEN,CABINET**

*Model Index:* A FMV156D (FMV156DBB)  
 B FMV156D (FMV156DCC)  
 C FMV156D (FMV156DQB)  
 D FMV156D (FMV156DSB)

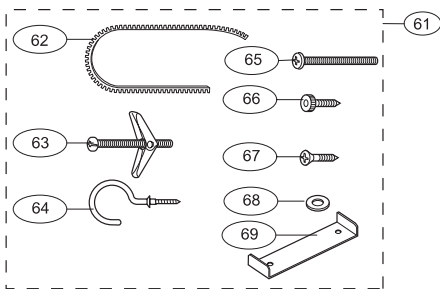
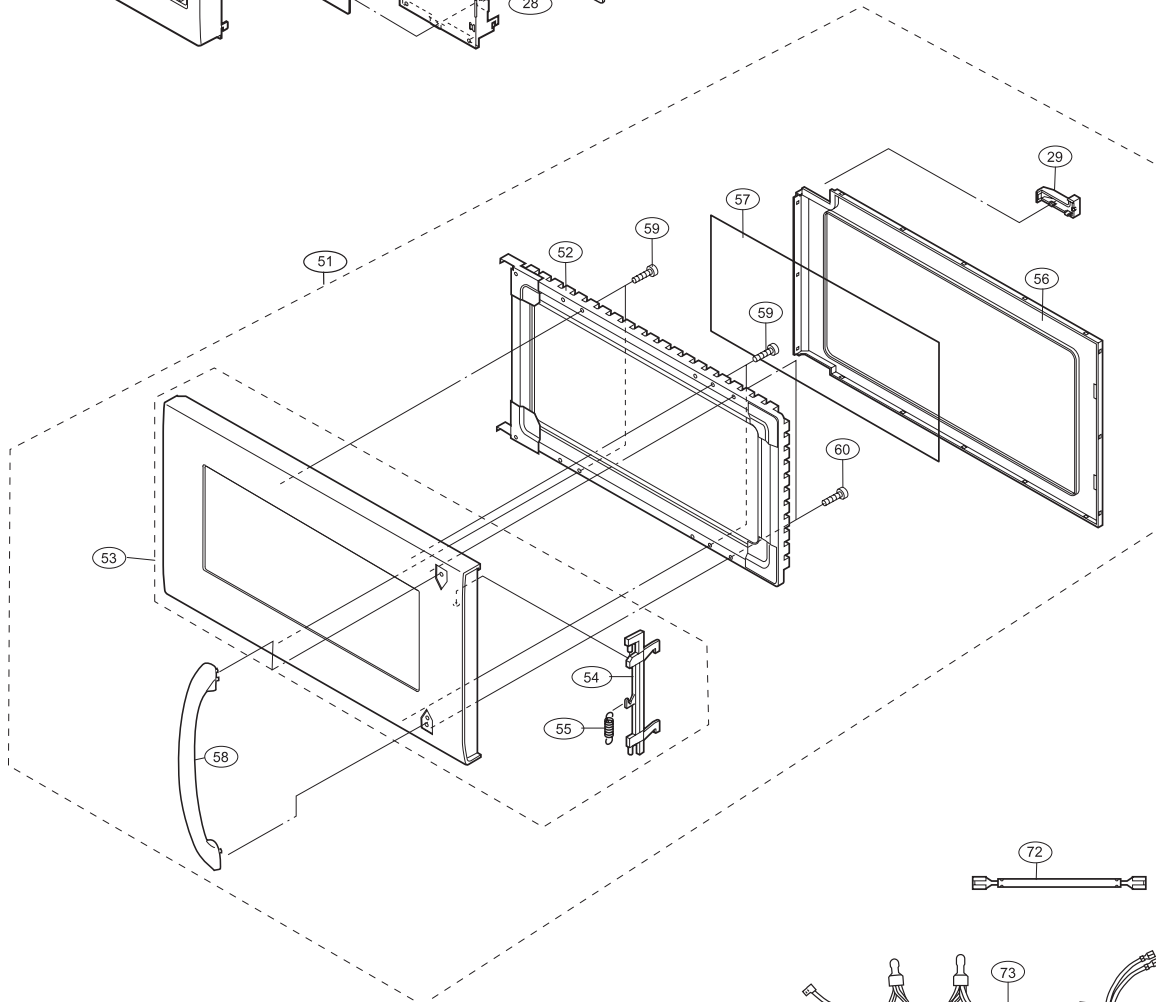
POS. NO	PART NO.		DESCRIPTION
46	5304441878	A B C D	Duct, hood intake, right side
47	5304441879	A B C D	Duct, exhaust hood, left side
48	5304451819	A B C D	Duct, cooling fan
49	5304441881	A B C D	Ring, fan orifice
50	5304441882	A B C D	Cushion, transformer pad
74	5304441900	A B C D	Label, Caution-DHHS
75	5304440334	A B C D	Label, Caution-monitor
76	5304440333	A B C D	Label, Caution-DHHS
77	5304441901	A B C D	Filter, inside exhaust, charcoal
78	5303319568	A B C D	Filter, grease, (2)
79	5304440283	A B C D	Damper Assy, exhaust
80	5303319640	A B - -	Screw, vent grille, black
80	5303319652	- - C -	Screw, vent grille, bisque
80	5304441902	- - - D	Screw, vent grille, white, (3)
81	5304440340	A B C D	Screw, 4mm x 12mm
82	5303318767	A B C D	Screw, 4mm x 12mm
83	5304440872	A B C D	Screw, 4mm x 8mm
84	5303319641	A B C D	Screw
85	5303319636	A B C D	Screw
86	5303319633	A B C D	Screw, 3mm x 8mm

**CONTROL PANEL,DOOR,MISC.**

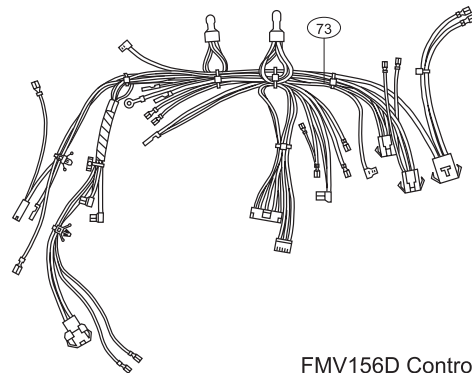
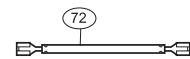
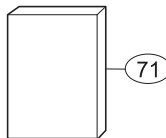
**CONTROL PANEL PARTS**



**DOOR PARTS**



**MISCELLANEOUS**



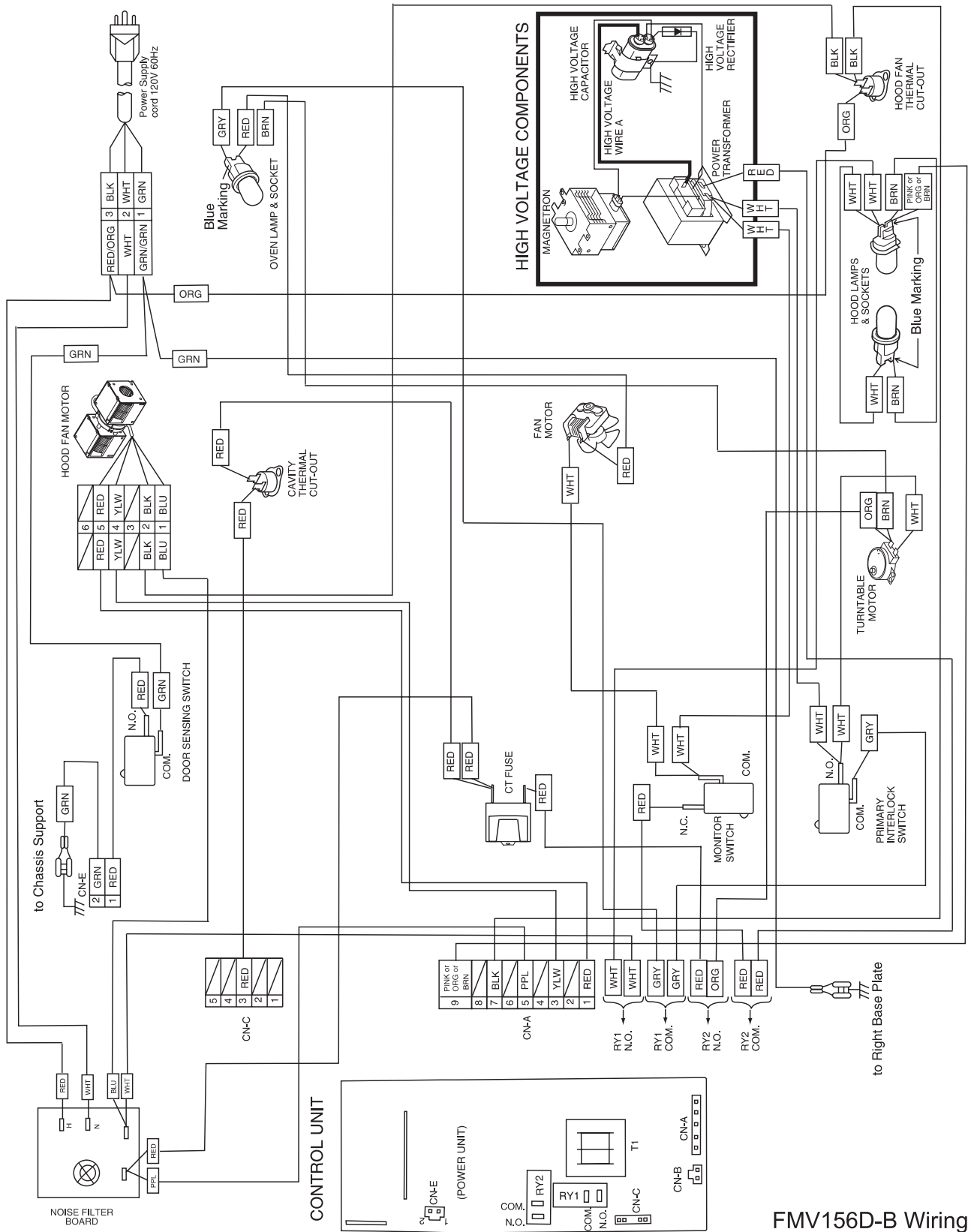
FMV156D Controls

**CONTROL PANEL,DOOR,MISC.**

*Model Index:* A FMV156D (FMV156DBB)  
 B FMV156D (FMV156DCC)  
 C FMV156D (FMV156DQB)  
 D FMV156D (FMV156DSB)

POS. NO	PART NO.		DESCRIPTION
23 #	5304441863	A B C D	Control Board, printed circuit
24	5304450254	A - - -	Frame, control panel, black
24	5304448513	- B - -	Frame, control panel, stainless steel
24	5304441866	- - C -	Frame, control panel, bisque
24	5304441867	- - - D	Frame, control panel, white
25 #	5304441868	A B - -	Switch, touch pad, black
25 #	5304441869	- - C -	Switch, touch pad, bisque
25 #	5304441870	- - - D	Switch, touch pad, white
26	5304440281	A B C D	Panel, control mount
27	5303319584	A B C D	Screw, control panel, 3mm x 10mm
28	5304440282	A B C D	Screw, control board, 3mm x 10mm
29	5304441871	A B C D	Door Stop
51	5304441883	A - - -	Door Assy, black, w/handle
51	5304447862	- B - -	Door Assy, stainless, w/handle
51	5304441885	- - C -	Door Assy, bisque, w/handle
51	5304441886	- - - D	Door Assy, white, w/handle
52	5304441887	A B - -	Panel, inner door, black
52	5304441888	- - C -	Panel, inner door, bisque
52	5304441889	- - - D	Panel, inner door, white
53	5304441890	A - - -	Frame, outer door, black
53		- B - -	STAINLESS FRAME NOT REPLACEABLE-ORDER STAINLESS DOOR ASSY.
53	5304441891	- - C -	Frame, outer door, bisque
53	5304441892	- - - D	Frame, outer door, white
54	5304441893	A B C D	Latch, door
55	5304440316	A B C D	Spring, door latch
56	5304441894	A B C D	Frame, choke cover, inner door
57	5304440860	A B C D	Seal, door, film
58	5304440323	A B - -	Handle, door, black
58	5304440325	- - C -	Handle, door, bisque
58	5304440324	- - - D	Handle, door, white
59	5303319634	A B C D	Screw, 4mm x 8mm
60	5304441895	A B C D	Screw
61	5304441832	A B C D	Hardware, installation, kit
62	5303318761	A B C D	Sleeve, power cord, grommet
63	5303318762	A B C D	Screw, toggle
64	5303322979	A B C D	Hook, screw-in, cord holder
65	5303318764	A B C D	Screw, 5mm x 60mm
66	5303318767	A B C D	Screw, 4mm x 12mm
67	5303318765	A B C D	Screw, wood, 5mm x 35 mm, (6)
68	5303318766	A B C D	Washer, flat, 30mm, (2)
69	5304441896	A B C D	Bracket, scale plate
71	5304441897	A B C D	Template, installation, top
72 #	5304441898	A B C D	Wire, high voltage-A
73 #	5304451820	A B C D	Wiring Harness, main

WIRING SCHEMATIC



FMV156D-B Wiring