

Instruction Sheet

Encapsulated Thrust Bearing Kit

⚠ WARNING



Electrical Shock Hazard
Disconnect power before servicing.
Replace all parts and panels before operating.
Failure to do so can result in death or electrical shock.

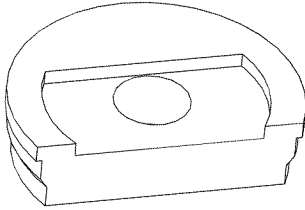
Kit Contents:

- 1 Dust Cap
- 1 Retaining Ring
- 1 Pulley
- 1 Spacer
- 1 Thrust Bearing
- 1 Lubricant
- 2 Washers (0.062" and 0.032", 1 Ea.)
- 1 Lower Cam
- 1 Instruction Sheet

Procedure:

1. Unplug washer or disconnect power.

2. Insert Tub Block to secure Wash Tub.

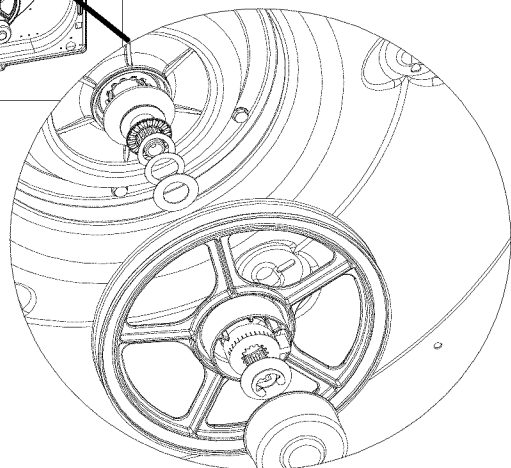
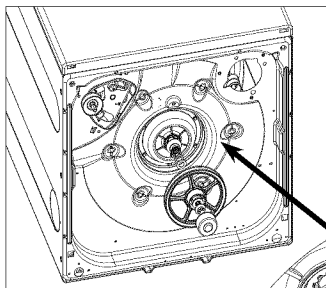


3. Tape lid closed
4. Lay washer on its back.

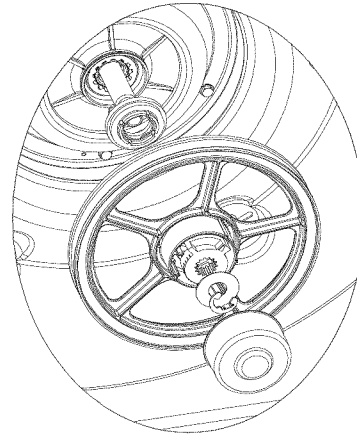
OPTIONAL

Or Tip washer back and prop on rear legs to access bottom.

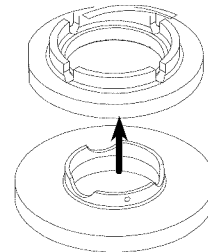
5. Remove Drive Belt.
6. Remove old Thrust Bearing components.



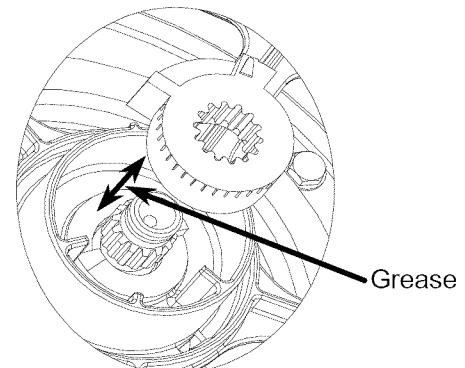
7. Install new Thrust Bearing and Spacer, Pulley, Cam, Washer (either .032, .062, or both), Retaining Ring, and Dust Cap. **Refer to step 10 and 11 for proper adjustment.**



8. Thrust Bearing and Spacer are to be assembled as shown.



9. Apply a thin layer of **grease** between the contacting surfaces of the Lower Cam and the Pulley.



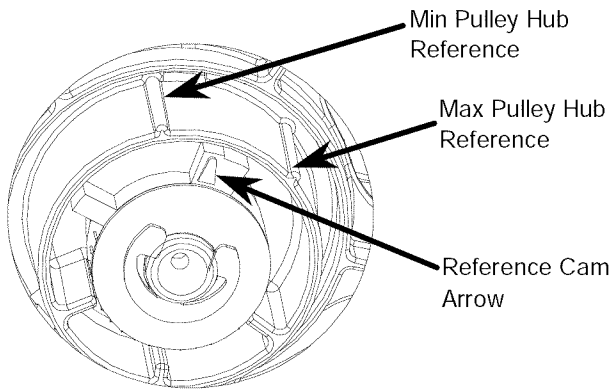
- After reassembling the components on the drive shaft, it may be necessary to pull down on the shaft to take the endplay out before the Thrust Washer and Retaining Ring can be reinstalled.

NOTE: Each time the cams are reassembled on the drive shaft, the point in the cam rise where the brake disengages the stator should be checked and adjusted as necessary. Reference points have been molded into the Pulley as an aid in checking the point of brake disengagement.

To Check Brake Disengagement:

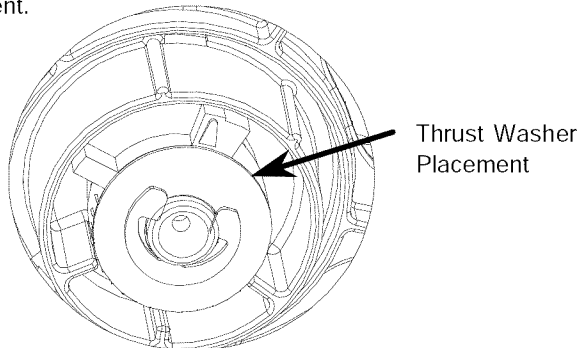
- Manually rotate the drive pulley in a slow counterclockwise direction until the brake starts to release and the transmission begins to turn.
- Position the "Arrow Reference" midway between the "Min Pulley Hub Reference" and the "Max Pulley Hub Reference" markers located on the Pulley.

If the position of the Cam Arrow to the Pulley Hub ***is not*** within these parameters ***adjustment is required.***



To Adjust Brake Disengagement:

- If the position of the Cam Reference Arrow is ***less than the Min Pulley Hub reference mark,*** remove the standard (.062 thickness) thrust washer and replace it with a thinner (.032 thickness) thrust washer. Recheck disengagement 3 times to verify proper adjustment.
- If the position of the Cam Reference Arrow is ***more than the Max Pulley Hub reference mark,*** add a (.032 thickness) Thrust Washer to the standard Thrust Washer. Recheck disengagement 3 times to verify proper adjustment.



- Replace all parts and panels.

⚠ WARNING

Electrical Shock Hazard

Plug into a grounded 3 prong outlet.

Do not remove ground prong.

Do not use an adapter.

Do not use an extension cord.

Failure to follow these instructions can result in death, fire, or electrical shock.

- Plug in washer or reconnect power.